

**Makita**<sup>®</sup>

## **Jig Saw**

Instruction Manual

## **Stichsäge**

Betriebsanleitung

## **Piła włośnica**

Instrukcja obsługi

## **Лобзик**

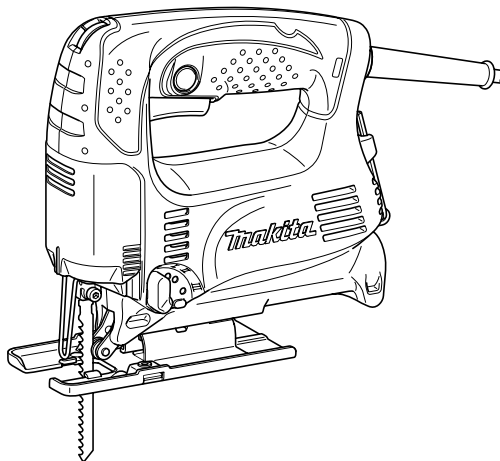
Инструкция по эксплуатации

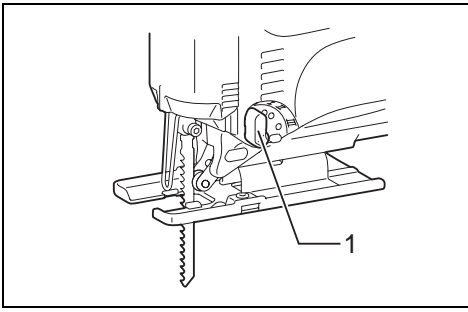
**4326**

**4327**

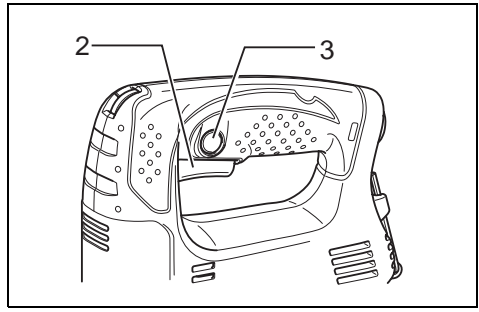
**4328**

**4329**

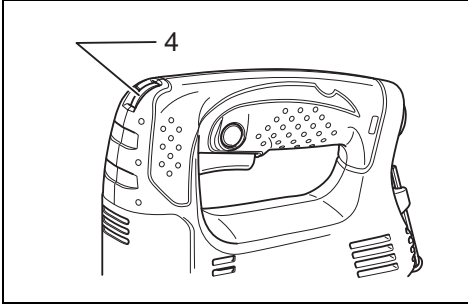




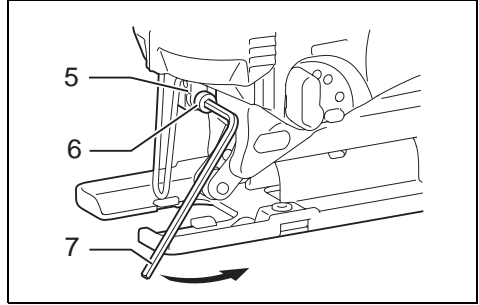
1



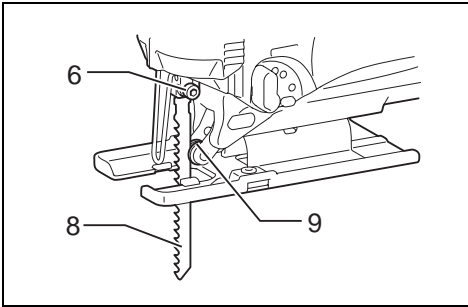
2



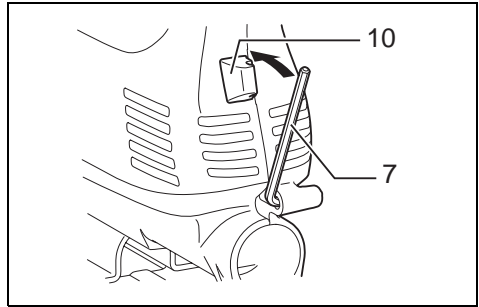
3



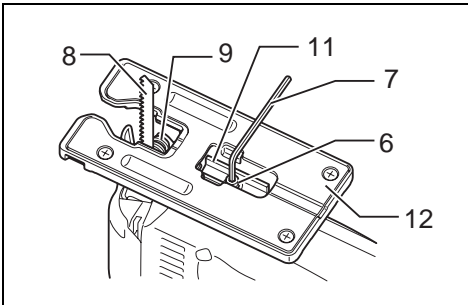
4



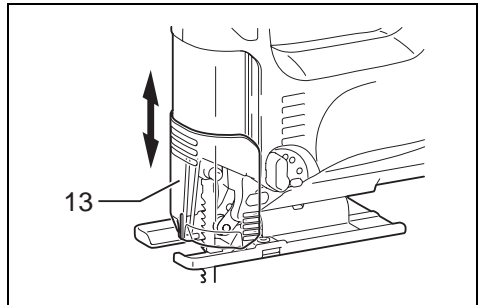
5



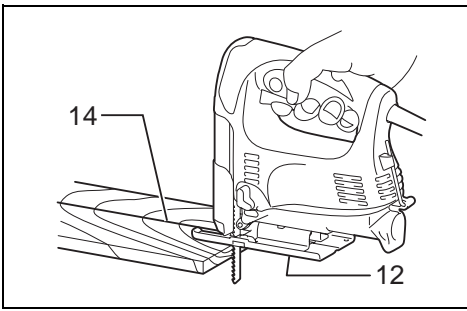
6



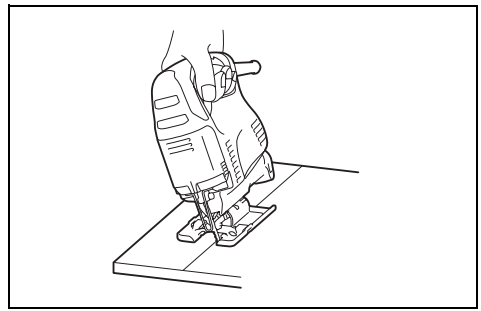
7



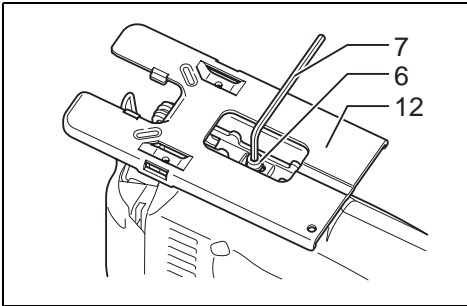
8



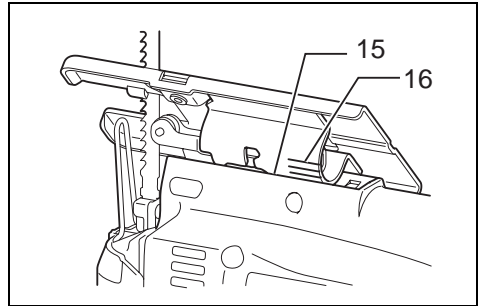
9



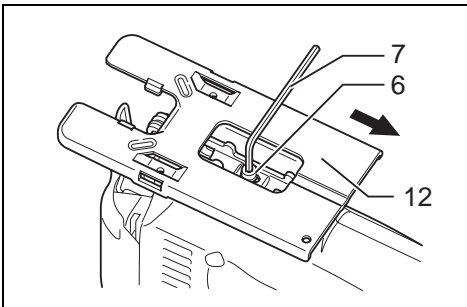
10



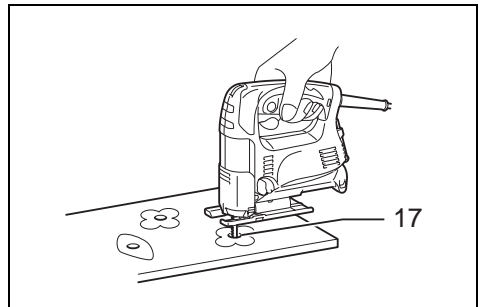
11



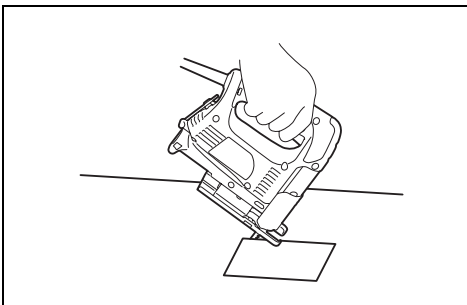
12



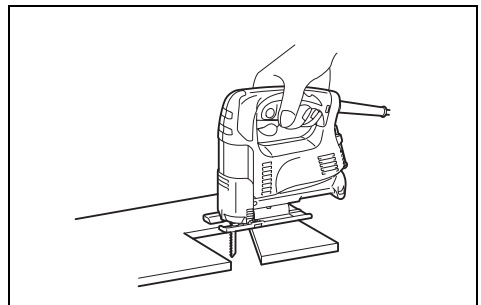
13



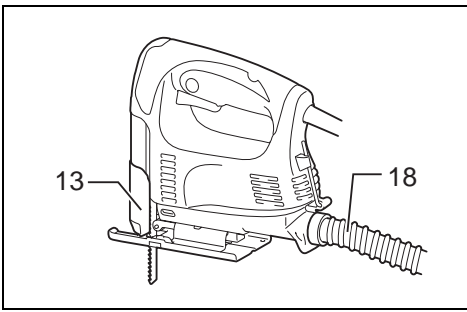
14



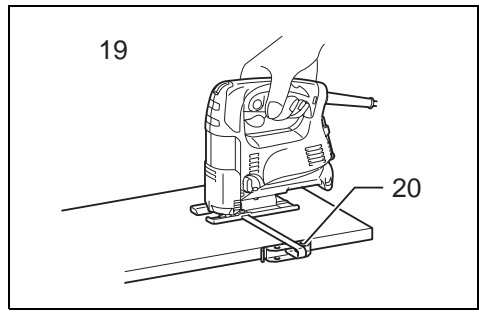
15



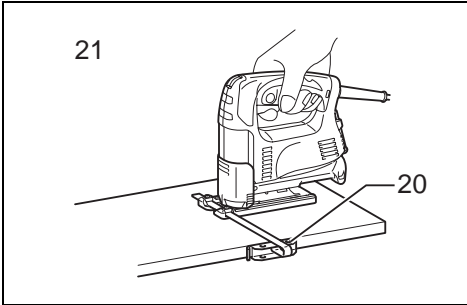
16



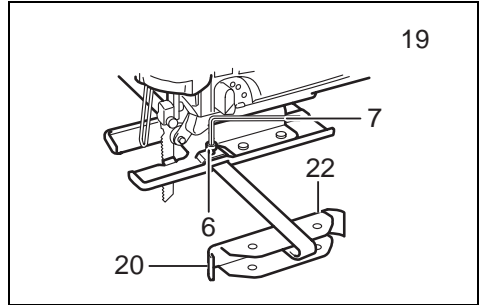
17



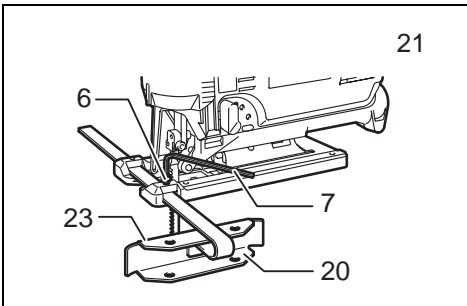
18



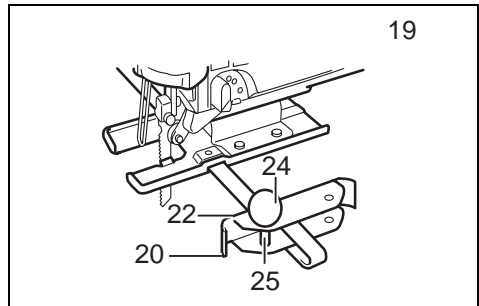
19



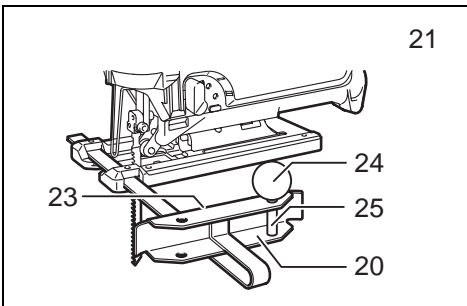
20



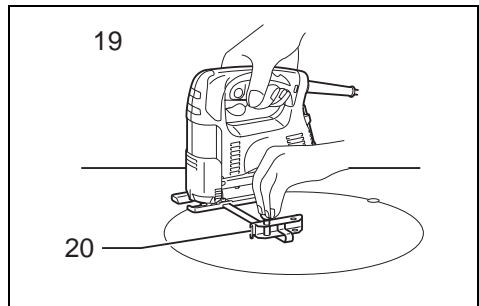
21



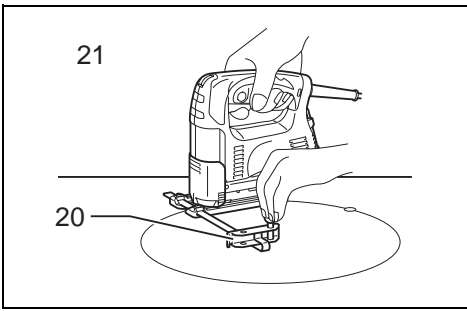
22



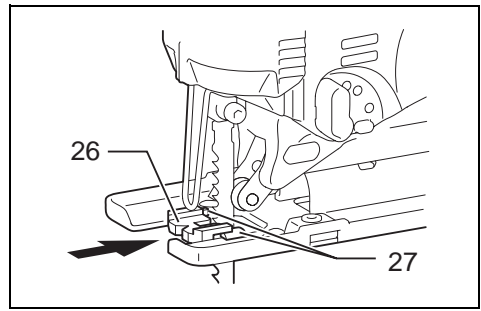
23



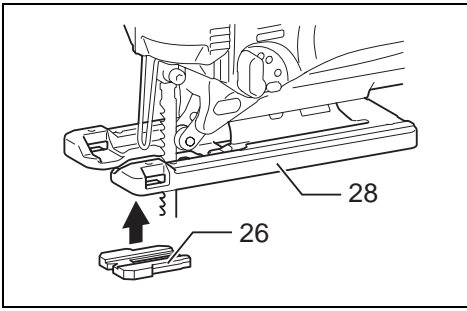
24



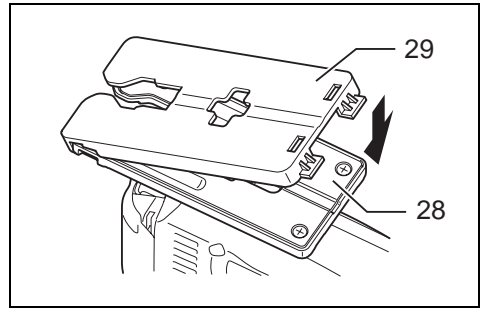
**25**



**26**



**27**



**28**

## Symbols

The followings show the symbols used for the tool. Be sure that you understand their meaning before use.

## Symbole

Die folgenden Symbole werden für die Maschine verwendet. Machen Sie sich vor der Benutzung unbedingt mit ihrer Bedeutung vertraut.

## Symbole

Poniższe symbole używane są do opisu urządzenia. Przed użyciem należy upewnić się, że rozumie się ich znaczenie.

## Символы

Следующие объяснения показывают символы, используемые для инструмента. Убедитесь перед использованием, что Вы понимаете их значение.



- Read instruction manual.
- Bitte Bedienungsanleitung lesen.
- Przeczytaj instrukcję obsługi.
- Прочитайте инструкцию по эксплуатации.



- DOUBLE INSULATION
- DOPPELT SCHUTZISOLIERT
- PODWÓJNA IZOLACJA
- ДВОЙНАЯ ИЗОЛЯЦИЯ



- Only for EU countries  
Do not dispose of electric equipment together with household waste material!  
In observance of European Directive 2002/96/EC on waste electrical and electronic equipment and its implementation in accordance with national law, electric equipment that have reached the end of their life must be collected separately and returned to an environmentally compatible recycling facility.

- Nur für EU-Länder  
Werfen Sie Elektrowerkzeuge nicht in den Hausmüll!  
Gemäß Europäischer Richtlinie 2002/96/EG über Elektro- und Elektronik-Altgeräte und Umsetzung in nationales Recht müssen verbrauchte Elektrowerkzeuge getrennt gesammelt und einer umweltgerechten Wiederverwertung zugeführt werden.

- Dotyczy tylko państw UE  
Nie wyrzucaj urządzeń elektrycznych wraz z odpadami z gospodarstwa domowego!  
Zgodnie z Europejską Dyrektywą 2002/96/WE w sprawie zużytego sprzętu elektrotechnicznego i elektronicznego oraz dostosowaniem jej do prawa krajowego, zużyte urządzenia elektryczne należy posegregować i zutylizować w sposób przyjazny dla środowiska.

- Только для стран ЕС  
Не выкидывайте электрическое оборудование вместе с бытовым мусором!  
В соответствии с европейской директивой 2002/96/ЕС об утилизации старого электрического и электронного оборудования и её применения в соответствии с местными законами электрическое оборудование, бывшее в эксплуатации, должно утилизироваться отдельно безопасным для окружающей среды способом.

# ENGLISH

## Explanation of general view

1	Cutting action changing lever	11	Retainer	21	Aluminum base type
2	Switch trigger	12	Base	22	Guide facing
3	Lock button	13	Dust cover	23	Fence guide
4	Speed adjusting dial	14	Cutting line	24	Threaded knob
5	Blade holder	15	Edge	25	Pin
6	Bolt	16	Graduation	26	Anti-splintering device
7	Hex wrench	17	Starting hole	27	Protrusions
8	Blade	18	Hose	28	Aluminum base
9	Roller	19	Steel base type	29	Cover plate
10	Hook	20	Rip fence (Guide rule)		

## SPECIFICATION

Model		4326	4327	4328	4329
Length of stroke		18 mm	18 mm	18 mm	18 mm
Blade type		B type			
Max. cutting capacities	Wood	65 mm	65 mm	65 mm	65 mm
	Mild steel	6 mm	6 mm	6 mm	6 mm
Strokes per minute (min <sup>-1</sup> )		3,100	500 – 3,100	500 – 3,100	500 – 3,100
Overall length	217 mm (Steel base type)		217 mm (Steel base type)	217 mm	223 mm
	223 mm (Aluminum base type)		223 mm (Aluminum base type)		
Net weight	1,8 kg (Steel base type)		1,8 kg (Steel base type)	1,8 kg	1,9 kg
	1,9 kg (Aluminum base type)		1,9 kg (Aluminum base type)		
Safety class		 / II			

- Due to our continuing programme of research and development, the specifications herein are subject to change without notice.
- Note: Specifications may differ from country to country.

### Intended use

The tool is intended for the sawing of wood, plastic and metal materials. As a result of the extensive accessory and saw blade program, the tool can be used for many purposes and is very well suited for curved or circular cuts.

### Power supply

The tool should be connected only to a power supply of the same voltage as indicated on the nameplate, and can only be operated on single-phase AC supply. They are double-insulated in accordance with European Standard and can, therefore, also be used from sockets without earth wire.

## General Power Tool Safety Warnings

**WARNING! Read all safety warnings and all instructions.** Failure to follow the warnings and instructions may result in electric shock, fire and/or serious injury.

**Save all warnings and instructions for future reference.**

### Work area safety

1. **Keep work area clean and well lit.** Cluttered and dark areas invite accidents.
2. **Do not operate power tools in explosive atmospheres, such as in the presence of flammable liquids, gases or dust.** Power tools create sparks which may ignite the dust or fumes.
3. **Keep children and bystanders away while operating a power tool.** Distractions can cause you to lose control.

### Electrical safety

4. **Power tool plugs must match the outlet. Never modify the plug in any way. Do not use any adapter plugs with earthed (grounded) power tools.** Unmodified plugs and matching outlets will reduce risk of electric shock.
5. **Avoid body contact with earthed or grounded surfaces such as pipes, radiators, ranges and refrigerators.** There is an increased risk of electric shock if your body is earthed or grounded.
6. **Do not expose power tools to rain or wet conditions.** Water entering a power tool will increase the risk of electric shock.
7. **Do not abuse the cord. Never use the cord for carrying, pulling or unplugging the power tool. Keep cord away from heat, oil, sharp edges or moving parts.** Damaged or entangled cords increase the risk of electric shock.

8. **When operating a power tool outdoors, use an extension cord suitable for outdoor use.** Use of a cord suitable for outdoor use reduces the risk of electric shock.
9. **If operating a power tool in a damp location is unavoidable, use a ground fault circuit interrupter (GFCI) protected supply.** Use of an GFCI reduces the risk of electric shock.

#### Personal safety

10. **Stay alert, watch what you are doing and use common sense when operating a power tool. Do not use a power tool while you are tired or under the influence of drugs, alcohol or medication.** A moment of inattention while operating power tools may result in serious personal injury.
11. **Use personal protective equipment. Always wear eye protection.** Protective equipment such as dust mask, non-skid safety shoes, hard hat, or hearing protection used for appropriate conditions will reduce personal injuries.
12. **Prevent unintentional starting. Ensure the switch is in the off-position before connecting to power source and/or battery pack, picking up or carrying the tool.** Carrying power tools with your finger on the switch or energising power tools that have the switch on invites accidents.
13. **Remove any adjusting key or wrench before turning the power tool on.** A wrench or a key left attached to a rotating part of the power tool may result in personal injury.
14. **Do not overreach. Keep proper footing and balance at all times.** This enables better control of the power tool in unexpected situations.
15. **Dress properly. Do not wear loose clothing or jewellery. Keep your hair, clothing, and gloves away from moving parts.** Loose clothes, jewellery or long hair can be caught in moving parts.
16. **If devices are provided for the connection of dust extraction and collection facilities, ensure these are connected and properly used.** Use of dust collection can reduce dust-related hazards.

#### Power tool use and care

17. **Do not force the power tool. Use the correct power tool for your application.** The correct power tool will do the job better and safer at the rate for which it was designed.
18. **Do not use the power tool if the switch does not turn it on and off.** Any power tool that cannot be controlled with the switch is dangerous and must be repaired.
19. **Disconnect the plug from the power source and/or the battery pack from the power tool before making any adjustments, changing accessories, or storing power tools.** Such preventive safety measures reduce the risk of starting the power tool accidentally.
20. **Store idle power tools out of the reach of children and do not allow persons unfamiliar with the power tool or these instructions to operate the power tool.** Power tools are dangerous in the hands of untrained users.
21. **Maintain power tools. Check for misalignment or binding of moving parts, breakage of parts and any other condition that may affect the power tool's operation. If damaged, have the power tool repaired before use.** Many accidents are caused by poorly maintained power tools.

22. **Keep cutting tools sharp and clean.** Properly maintained cutting tools with sharp cutting edges are less likely to bind and are easier to control.
23. **Use the power tool, accessories and tool bits etc. in accordance with these instructions, taking into account the working conditions and the work to be performed.** Use of the power tool for operations different from those intended could result in a hazardous situation.

#### SERVICE

24. **Have your power tool serviced by a qualified repair person using only identical replacement parts.** This will ensure that the safety of the power tool is maintained.
25. **Follow instruction for lubricating and changing accessories.**
26. **Keep handles dry, clean and free from oil and grease.**

## SPECIFIC SAFETY RULES

GEB016-1

**DO NOT let comfort or familiarity with product (gained from repeated use) replace strict adherence to jig saw safety rules. If you use this tool unsafely or incorrectly, you can suffer serious personal injury.**

1. **Hold power tools by insulated gripping surfaces when performing an operation where the cutting tool may contact hidden wiring or its own cord.** Contact with a "live" wire will make exposed metal parts of the tool "live" and shock the operator.
2. **Use clamps or another practical way to secure and support the workpiece to a stable platform.** Holding the work by hand or against your body leaves it unstable and may lead to loss of control.
3. **Always use safety glasses or goggles. Ordinary eye or sun glasses are NOT safety glasses.**
4. **Avoid cutting nails. Inspect workpiece for any nails and remove them before operation.**
5. **Do not cut oversize workpiece.**
6. **Check for the proper clearance beyond the workpiece before cutting so that the blade will not strike the floor, workbench, etc.**
7. **Hold the tool firmly.**
8. **Make sure the blade is not contacting the workpiece before the switch is turned on.**
9. **Keep hands away from moving parts.**
10. **Do not leave the tool running. Operate the tool only when hand-held.**
11. **Always switch off and wait for the blade to come to a complete stop before removing the blade from the workpiece.**
12. **Do not touch the blade or the workpiece immediately after operation; they may be extremely hot and could burn your skin.**
13. **Do not operate the tool at no-load unnecessarily.**

14. Some material contains chemicals which may be toxic. Take caution to prevent dust inhalation and skin contact. Follow material supplier safety data.
15. Always use the correct dust mask/respirator for the material and application you are working with.

**WARNING:**  
**MISUSE** or failure to follow the safety rules stated in this instruction manual may cause serious personal injury.

## SAVE THESE INSTRUCTIONS.

### FUNCTIONAL DESCRIPTION

#### CAUTION:

- Always be sure that the tool is switched off and unplugged before adjusting or checking function on the tool.

#### Selecting the cutting action (For models 4328/4329) (Fig. 1)

This tool can be operated with an orbital or a straight line (up and down) cutting action. The orbital cutting action thrusts the blade forward on the cutting stroke and greatly increases cutting speed.

To change the cutting action, just turn the cutting action changing lever to the desired cutting action position.

Refer to the table to select the appropriate cutting action.

Position	Cutting action	Applications
0	Straight line cutting action	For cutting mild steel, stainless steel and plastics.
		For clean cuts in wood and plywood.
I	Small orbit cutting action	For cutting mild steel, aluminum and hard wood.
II	Medium orbit cutting action	For cutting wood and plywood.
		For fast cutting in aluminum and mild steel.
III	Large orbit cutting action	For fast cutting in wood and plywood.

#### Switch action (Fig. 2)

##### CAUTION:

- Before plugging in the tool, always check to see that the switch trigger actuates properly and returns to the "OFF" position when released.

To start the tool, simply pull the switch trigger. Release the switch trigger to stop.

For continuous operation, pull the switch trigger and then push in the lock button.

To stop the tool from the locked position, pull the switch trigger fully, then release it.

#### Speed adjusting dial (For models 4327/4328/4329) (Fig. 3)

The tool speed can be infinitely adjusted between 500 and 3,100 strokes per minute by turning the adjusting dial. Higher speed is obtained when the dial is turned in the direction of number 6; lower speed is obtained when it is turned in the direction of number 1.

Refer to the table to select the proper speed for the workpiece to be cut. However, the appropriate speed may differ with the type or thickness of the workpiece. In general, higher speeds will allow you to cut workpieces faster but the service life of the blade will be reduced.

Workpiece to be cut	Number on adjusting dial
Wood	5 – 6
Mild steel	3 – 6
Stainless steel	3 – 4
Aluminum	3 – 6
Plastics	1 – 4

##### CAUTION:

- If the tool is operated continuously at low speeds for a long time, the motor will get overloaded and heated up.
- The speed adjusting dial can be turned only as far as 6 and back to 1. Do not force it past 6 or 1, or the speed adjusting function may no longer work.

### ASSEMBLY

#### CAUTION:

- Always be sure that the tool is switched off and unplugged before carrying out any work on the tool.

#### Installing or removing saw blade (Fig. 4 & 5)

##### CAUTION:

- Always clean out all chips or foreign matter adhering to the blade and/or blade holder. Failure to do so may cause insufficient tightening of the blade, resulting in a serious personal injury.

- Do not touch the blade or the workpiece immediately after operation; they may be extremely hot and could burn your skin.
- Always secure the blade firmly. Insufficient tightening of the blade may cause blade breakage or serious personal injury.
- Use only B type blades. Using blades other than B type blades causes insufficient tightening of the blade, resulting in a serious personal injury.

To install the blade, loosen the bolt counterclockwise on the blade holder with the hex wrench.

With the blade teeth facing forward, insert the blade into the blade holder as far as it will go. Make sure that the back edge of the blade fits into the roller. Then tighten the bolt clockwise to secure the blade.

To remove the blade, follow the installation procedure in reverse.

NOTE:

- Occasionally lubricate the roller.

### Hex wrench storage (Fig. 6)

When not in use, store the hex wrench as shown in the figure to keep it from being lost.

### Adjusting roller (For models 4326/4327) (Fig. 7)

Loosen the bolt on the back of the tool base with the hex wrench. Move the retainer so that the roller contacts the blade lightly. Then tighten the bolt to secure the tool base and the retainer.

NOTE:

- Occasionally lubricate the roller.

### Dust cover (Fig. 8)

CAUTION:

- Always wear safety goggles even when operating the tool with the dust cover lowered.

Lower the dust cover to prevent chips from flying. However, when making bevel cuts, raise it all the way.

## OPERATION

CAUTION:

- Always hold the base flush with the workpiece. Failure to do so may cause blade breakage, resulting in a serious injury.
- Advance the tool very slowly when cutting curves or scrolling. Forcing the tool may cause a slanted cutting surface and blade breakage.

Turn the tool on without the blade making any contact and wait until the blade attains full speed. Then rest the tool base flat on the workpiece and gently move the tool forward along the previously marked cutting line. (Fig. 9)

### Bevel cutting

CAUTION:

- Always be sure that the tool is switched off and unplugged before tilting the tool base.
- Raise the dust cover all the way before making bevel cuts.

With the base tilted, you can make bevel cuts at any angle between 0° and 45° (left or right). (Fig. 10)

Loosen the bolt on the back of the base with the hex wrench. Move the tool base so that the bolt is positioned in the center of the cross-shaped slot in the base. (Fig. 11)

Tilt the base until the desired bevel angle is obtained. The edge of the motor housing indicates the bevel angle by graduations. Then tighten the bolt to secure the base. (Fig. 12)

### Front flush cuts (Fig. 13)

Loosen the bolt on the back of the tool base with the hex wrench, and slide the base all the way back. Then tighten the bolt to secure the tool base.

### Cutouts

Cutouts can be made with either of two methods A or B.

#### A) Boring a starting hole

For internal cutouts without a lead-in cut from an edge, pre-drill a starting hole 12 mm or more in diameter. Insert the blade into this hole to start your cut. (Fig. 14)

#### B) Plunge cutting

You need not bore a starting hole or make a lead-in cut if you carefully do as follows.

1. Tilt the tool up on the front edge of the base with the blade point positioned just above the workpiece surface. (Fig. 15)
2. Apply pressure to the tool so that the front edge of the base will not move when you switch on the tool and gently lower the back end of the tool slowly.
3. As the blade pierces the workpiece, slowly lower the base of the tool down onto the workpiece surface.
4. Complete the cut in the normal manner.

### Finishing edges (Fig. 16)

To trim edges or make dimensional adjustments, run the blade lightly along the cut edges.

### Metal cutting

Always use a suitable coolant (cutting oil) when cutting metal. Failure to do so will cause significant blade wear. The underside of the workpiece can be greased instead of using a coolant.

### Dust extraction (Fig. 17)

Clean cutting operations can be performed by connecting this tool to a Makita vacuum cleaner. Insert the hose of the vacuum cleaner into the hole at the rear of the tool. Lower the dust cover before operation.

NOTE:

- Dust extraction cannot be performed when making bevel cuts.

### Rip fence (optional accessory)

CAUTION:

- Always be sure that the tool is switched off and unplugged before installing or removing accessories.

#### 1) Straight cuts (Fig. 18, 19, 20 & 21)

When repeatedly cutting widths of 160 mm or less, use of the rip fence will assure fast, clean, straight cuts.

To install, insert the rip fence into the rectangular hole on the side of the tool base with the fence guide facing down. Slide the rip fence to the desired cutting width position, then tighten the bolt to secure it.

## 2) Circular cuts (Fig. 22, 23, 24 & 25)

When cutting circles or arcs of 170 mm or less in radius, install the rip fence as follows.

Insert the rip fence into the rectangular hole on the side of the tool base with the fence guide facing up. Insert the circular guide pin through either of the two holes on the fence guide. Screw the threaded knob onto the pin to secure the pin.

Now slide the rip fence to the desired cutting radius, and tighten the bolt to secure it in place. Then move the tool base all the way forward.

### NOTE:

- Always use blades No. B-17, B-18, B-26 or B-27 when cutting circles or arcs.

## Anti-splintering device for steel base (optional accessory) (Fig. 26)

For splinter-free cuts, the anti-splintering device can be used. To install the anti-splintering device, move the base all the way forward and insert it between the two protrusions of the base.

### NOTE:

- The anti-splintering device cannot be used when making bevel cuts.

## Anti-splintering device for aluminum base (optional accessory) (Fig. 27)

For splinter-free cuts, the anti-splintering device can be used. To install the anti-splintering device, move the tool base all the way forward and fit it from the back of tool base. When you use the cover plate, install the anti-splintering device onto the cover plate.

### CAUTION:

- The anti-splintering device cannot be used when making bevel cuts.

## Cover plate for aluminum base (optional accessory) (Fig. 28)

Use the cover plate when cutting decorative veneers, plastics, etc. It protects sensitive or delicate surfaces from damage. Fit it on the back of the tool base.

## MAINTENANCE

### CAUTION:

- Always be sure that the tool is switched off and unplugged before attempting to perform inspection or maintenance.

To maintain product SAFETY and RELIABILITY, repairs, carbon brush inspection and replacement, any other maintenance or adjustment should be performed by Makita Authorized Service Centers, always using Makita replacement parts.

## ACCESSORIES

### CAUTION:

- These accessories or attachments are recommended for use with your Makita tool specified in this manual. The use of any other accessories or attachments might present a risk of injury to persons. Only use accessory or attachment for its stated purpose.

If you need any assistance for more details regarding these accessories, ask your local Makita service center.

- Jig saw blades
- Hex wrench 3
- Rip fence (guide rule) set
- Anti-splintering device
- Hose (For vacuum cleaner)
- Cover plate (For aluminum base type)

## Model; 4326, 4327

### For European countries only

#### Noise

The typical A-weighted noise level determined according to EN60745-2-11:

Sound pressure level ( $L_{pA}$ ): 86 dB (A)

Sound power level ( $L_{wA}$ ): 97 dB (A)

Uncertainty (K): 3 dB (A)

**Wear ear protection.**

#### Vibration

The vibration total value (tri-axial vector sum) determined according to EN60745-2-11:

Work mode: cutting chipboard

Vibration emission ( $a_{h,CW}$ ): 5 m/s<sup>2</sup>

Uncertainty (K): 1.5 m/s<sup>2</sup>

Work mode: cutting sheet metal

Vibration emission ( $a_{h,CM}$ ): 4,5 m/s<sup>2</sup>

Uncertainty (K): 1.5 m/s<sup>2</sup>

## Model; 4328, 4329

### For European countries only

#### Noise

The typical A-weighted noise level determined according to EN60745-2-11:

Sound pressure level ( $L_{pA}$ ): 83 dB (A)

Uncertainty (K): 3 dB (A)

The noise level under working may exceed 85 dB (A).

**Wear ear protection.**

#### Vibration

The vibration total value (tri-axial vector sum) determined according to EN60745-2-11:

Work mode: cutting chipboard

Vibration emission ( $a_{h,CW}$ ): 7 m/s<sup>2</sup>

Uncertainty (K): 1.5 m/s<sup>2</sup>

Work mode: cutting sheet metal

Vibration emission ( $a_{h,CM}$ ): 5 m/s<sup>2</sup>

Uncertainty (K): 1.5 m/s<sup>2</sup>

## EC-DECLARATION OF CONFORMITY

Model: 4326, 4327, 4328, 4329

ENH101-8

We declare under our sole responsibility that this product is in compliance with the following standards of standardized documents;

EN60745, EN55014, EN61000

in accordance with Council Directives, 2004/108/EC and 98/37/EC.

*Tomoyasu Kato* **CE 2007**



Director

Responsible Manufacturer:

**Makita Corporation**

3-11-8, Sumiyoshi-cho, Anjo, Aichi, JAPAN

Authorized Representative in Europe:

**Makita International Europe Ltd.**

Michigan Drive, Tongwell, Milton Keynes,  
Bucks MK15 8JD, ENGLAND

Übersicht

1	Schnittbewegung-Umschalthebel	12	Grundplatte	22	Führungsfläche
2	Schalter	13	Schutzhaube	23	Anschlagführung
3	Schalterarretierung	14	Schnittlinie	24	Gewindeknopf
4	Hubzahl-Stellrad	15	Kante	25	Stift
5	Sägeblattaufnahme	16	Teilstriche	26	Spanreißschutz
6	Schraube	17	Vorböhrung	27	Führungsschiene
7	Inbusschlüssel	18	Schlauch	28	Aluminium-Grundplatte
8	Sägeblatt	19	Typ mit Stahl-Grundplatte	29	Gleitplatte
9	Führungsrolle	20	Parallelanschlag (führungslinealsatz)		
10	Haken	21	Typ mit Aluminium-Grundplatte		
11	Klemmstück				

TECHNISCHE DATEN

Modell		4326	4327	4328	4329
Hubhöhe		18 mm	18 mm	18 mm	18 mm
Sägeblatttyp		Typ B			
Maximale Schnitttiefe	Holz	65 mm	65 mm	65 mm	65 mm
	Weichstahl	6 mm	6 mm	6 mm	6 mm
Hubzahl pro Minute (min <sup>-1</sup> )		3 100	500 – 3 100	500 – 3 100	500 – 3 100
Gesamtlänge		217 mm (Typ mit Stahl-Grundplatte)	217 mm (Typ mit Stahl-Grundplatte)	217 mm	223 mm
		223 mm (Typ mit Aluminium-Grundplatte)	223 mm (Typ mit Aluminium-Grundplatte)		
Nettogewicht		1,8 kg (Typ mit Stahl-Grundplatte)	1,8 kg (Typ mit Stahl-Grundplatte)	1,8 kg	1,9 kg
		1,9 kg (Typ mit Aluminium-Grundplatte)	1,9 kg (Typ mit Aluminium-Grundplatte)		
Sicherheitsklasse		 /II			

- Wir behalten uns vor, Änderungen im Zuge der Entwicklung und des technischen Fortschritts ohne vorherige Ankündigung vorzunehmen.
- Hinweis: Die technischen Daten können von Land zu Land abweichen.

Vorgesehene Verwendung

Diese Maschine ist für das Sägen von Holz, Kunststoff und Metall vorgesehen. Dank des umfangreichen Zubehör- und Sägeblattprogramms kann die Maschine für viele Zwecke eingesetzt werden und eignet sich ideal für Bogen- oder Kreisschnitte.

Netzanschluß

Die Maschine darf nur an die auf dem Typenschild angegebene Netzspannung angeschlossen werden und arbeitet nur mit Einphasen-Wechselspannung. Sie ist entsprechend den Europäischen Richtlinien doppelt schutzisoliert und kann daher auch an Steckdosen ohne Erdanschluß betrieben werden.

Allgemeine Sicherheitswarnungen für Elektrowerkzeuge

**WARNUNG! Lesen Sie alle Sicherheitswarnungen und Anweisungen durch.** Eine Missachtung der unten aufgeführten Warnungen und Anweisungen kann zu einem elektrischen Schlag, Brand und/oder schweren Verletzungen führen.

Bewahren Sie alle Warnungen und Anweisungen für spätere Bezugnahme auf.

Sicherheit im Arbeitsbereich

1. Halten Sie den Arbeitsbereich sauber und gut beleuchtet. Unaufgeräumte und dunkle Bereiche führen zu Unfällen.
2. Betreiben Sie Elektrowerkzeuge nicht in explosiven Umgebungen, wie z.B. in Gegenwart von brennbaren Flüssigkeiten, Gasen oder Staub. Elektrowerkzeuge erzeugen Funken, die den Staub oder die Dämpfe entzünden können.
3. Halten Sie Kinder und Umstehende während der Benutzung eines Elektrowerkzeugs vom Arbeitsbereich fern. Ablenkungen können dazu führen, dass Sie die Kontrolle verlieren.

## Elektrische Sicherheit

- Der Stecker des Elektrowerkzeugs muss an die Steckdose angepasst sein. Der Stecker darf auf keinen Fall in irgendeiner Form abgeändert werden. Verwenden Sie keine Adapterstecker mit geerdeten Elektrowerkzeugen. Vorschriftenmäßige Stecker und passende Steckdosen reduzieren die Stromschlaggefahr.
- Vermeiden Sie Körperkontakt mit geerdeten Gegenständen (z.B. Rohre, Kühler, Herde, Kühlschränke). Es besteht erhöhte Stromschlaggefahr, falls Ihr Körper Erdkontakt hat.
- Setzen Sie Elektrowerkzeuge keinem Regen oder Nässe aus. Wasser, das in ein Elektrowerkzeug eindringt, erhöht die Stromschlaggefahr.
- Behandeln Sie das Kabel sorgfältig. Benutzen Sie das Kabel niemals zum Tragen, Ziehen oder Abtrennen des Elektrowerkzeugs. Halten Sie das Kabel von Hitze, Öl, scharfen Kanten oder beweglichen Teilen fern. Ein beschädigtes oder verheddertes Kabel erhöht die Stromschlaggefahr.
- Wenn Sie ein Elektrowerkzeug im Freien betreiben, verwenden Sie ein für Freiluftbenutzung geeignetes Verlängerungskabel. Die Verwendung eines für Freiluftbenutzung geeigneten Kabels reduziert die Stromschlaggefahr.
- Lässt sich der Einsatz eines Elektrowerkzeugs in feuchter Umgebung nicht vermeiden, verwenden Sie eine Stromquelle, die mit einem Fehlerstrom-Schutzschalter (GFCI) geschützt ist. Der GFCI verringert die Gefahr eines elektrischen Schlags.

## Persönliche Sicherheit

- bleiben Sie wachsam, und lassen Sie beim Umgang mit einem Elektrowerkzeug Vorsicht und gesunden Menschenverstand walten. Benutzen Sie keine Elektrowerkzeuge, wenn Sie müde sind oder unter dem Einfluss von Drogen, Alkohol oder Medikamenten stehen. Ein Augenblick der Unachtsamkeit während der Benutzung von Elektrowerkzeugen kann zu schweren Verletzungen führen.
- Benutzen Sie Schutzausrüstung. Tragen Sie stets eine Schutzbrille. Sachgemäßer Gebrauch von Schutzausrüstung (z. B. Staubmaske, rutschfeste Sicherheitsschuhe, Helm und Gehörschutz) trägt zu einer Reduzierung der Verletzungsgefahr bei.
- Unbeabsichtigtes Einschalten verhüten. Vergewissern Sie sich, dass sich der Ein-Aus-Schalter in der Aus-Stellung befindet, bevor Sie die Stromquelle und/oder den Akku anschließen bzw. die Maschine aufheben oder tragen. Das Tragen von Elektrowerkzeugen mit dem Finger am Ein-Aus-Schalter oder das Anschließen bei eingeschaltetem Ein-Aus-Schalter führt zu Unfällen.
- Etwaige Einstell- oder Schraubenschlüssel sind vor dem Einschalten des Elektrowerkzeugs zu entfernen. Ein Schrauben- oder Einstellschlüssel, der auf einem rotierenden Teil des Elektrowerkzeugs stecken gelassen wird, kann zu einer Verletzung führen.
- Übernehmen Sie sich nicht. Achten Sie stets auf sicheren Stand und gute Balance. Sie haben dann in unerwarteten Situationen eine bessere Kontrolle über das Elektrowerkzeug.

- Achten Sie auf zweckmäßige Kleidung. Tragen Sie keine lose Kleidung oder Schmuck. Halten Sie Haare, Kleidung und Handschuhe von beweglichen Teilen fern. Lose Kleidung, Schmuck oder langes Haar kann sich in beweglichen Teilen verfangen.
- Wenn Anschlussvorrichtungen für Staubsaug- und Staubsammelgeräte vorhanden sind, sollten diese montiert und sachgerecht verwendet werden. Die Verwendung von Staubsammelvorrichtungen kann durch Staub verursachte Gefahren reduzieren.

## Gebrauch und Pflege von Elektrowerkzeugen

- Setzen Sie Elektrowerkzeuge keiner Gewaltanwendung aus. Verwenden Sie das korrekte Elektrowerkzeug für Ihre Anwendung. Ein korrektes Elektrowerkzeug verrichtet die anstehende Arbeit bei sachgemäßer Handhabung besser und sicherer.
- Benutzen Sie das Elektrowerkzeug nicht, wenn es sich nicht mit dem Ein-Aus-Schalter ein- und ausschalten lässt. Ein Elektrowerkzeug, das nicht auf die Schalterbetätigung reagiert, ist gefährlich und muss repariert werden.
- Trennen Sie den Stecker von der Stromquelle und/oder den Akku vom Elektrowerkzeug, bevor Sie Einstellungen durchführen, Zubehör auswechseln oder das Elektrowerkzeug lagern. Solche vorbeugenden Sicherheitsmaßnahmen reduzieren die Gefahr eines versehentlichen Einschaltens des Elektrowerkzeugs.
- Bewahren Sie unbenutzte Elektrowerkzeuge außer Reichweite von Kindern auf, und lassen Sie nicht zu, dass Personen, die nicht mit dem Elektrowerkzeug oder diesen Anweisungen vertraut sind, das Elektrowerkzeug benutzen. Elektrowerkzeuge in den Händen unerfahrener Benutzer sind gefährlich.
- Pflegen Sie Elektrowerkzeuge. Überprüfen Sie Elektrowerkzeuge auf Fehlausrichtung oder Schleifen beweglicher Teile, Beschädigung von Teilen und andere Zustände, die ihren Betrieb beeinträchtigen können. Lassen Sie das Elektrowerkzeug bei Beschädigung vor der Benutzung reparieren. Viele Unfälle werden durch schlecht gewartete Elektrowerkzeuge verursacht.
- Halten Sie Schneidwerkzeuge scharf und sauber. Gut instand gehaltene Schneidwerkzeuge mit scharfen Schneiden sind weniger anfällig für Klemmen und lassen sich leichter handhaben.
- Benutzen Sie das Elektrowerkzeug, das Zubehör, die Einsatzwerkzeuge usw. gemäß diesen Anweisungen, und berücksichtigen Sie stets die Arbeitsbedingungen und die anstehende Arbeit. Unsachgemäßer Gebrauch des Elektrowerkzeugs kann zu einer Gefahrensituation führen.

## Wartung

- Lassen Sie Ihr Elektrowerkzeug nur unter Verwendung identischer Ersatzteile von einem qualifizierten Wartungstechniker warten. Dadurch wird die Aufrechterhaltung der Sicherheit des Elektrowerkzeugs gewährleistet.
- Befolgen Sie die Anweisungen für die Schmierung und den Austausch von Zubehör.
- Halten Sie Griffe trocken, sauber und frei von Öl und Fett.

## SPEZIELLE SICHERHEITSREGELN

Lassen Sie sich **NICHT** durch Bequemlichkeit oder Vertrautheit mit dem Produkt (durch wiederholten Gebrauch erworben) von der strikten Einhaltung der Sicherheitsregeln für die Stichsäge abhalten. Wenn Sie dieses Elektrowerkzeug auf unsichere oder unsachgemäße Weise benutzen, können Sie schwere Verletzungen erleiden.

1. Halten Sie Elektrowerkzeuge nur an den isolierten Griffflächen, wenn Sie Arbeiten ausführen, bei denen die Gefahr besteht, dass verborgene Kabel oder das eigene Kabel kontaktiert werden. Bei Kontakt mit einem stromführenden Kabel werden die freiliegenden Metallteile der Maschine ebenfalls stromführend, so dass der Benutzer einen elektrischen Schlag erleiden kann.
2. Verwenden Sie Klemmen oder eine andere praktische Methode, um das Werkstück auf einer stabilen Unterlage zu sichern und abzustützen. Wenn Sie das Werkstück nur von Hand oder gegen Ihren Körper halten, befindet es sich in einer instabilen Lage, die zum Verlust der Kontrolle führen kann.
3. Tragen Sie stets eine Sicherheits- oder Schutzbrille. Eine gewöhnliche Brille oder Sonnenbrille ist KEIN Ersatz für eine Sicherheitsbrille.
4. Schneiden Sie keine Nägel durch. Untersuchen Sie das Werkstück auf Nägel, und entfernen Sie diese vor der Bearbeitung.
5. Schneiden Sie keine übergroßen Werkstücke.
6. Vergewissern Sie sich vor dem Sägen, dass genügend Freiraum hinter dem Werkstück vorhanden ist, damit das Sägeblatt nicht gegen eine harte Oberfläche, wie Fußboden, Werkbank usw., stößt.

7. Halten Sie die Maschine sicher in der Hand.
8. Achten Sie stets darauf, daß das Sägeblatt nicht das Werkstück berührt, bevor die Stichsäge eingeschaltet wird.
9. Halten Sie während des Betriebs die Hände von den sich bewegenden Teilen der Maschine fern.
10. Die Maschine nicht im eingeschalteten Zustand aus der Hand legen. Die Benutzung ist nur in handgehaltener Weise vorgesehen.
11. Das Sägeblatt erst dann vom Werkstück entfernen, nachdem die Maschine abgeschaltet wurde und das Sägeblatt zum Stillstand gekommen ist.
12. Berühren Sie weder Sägeblatt noch Werkstück unmittelbar nach dem Schneiden; beide können sehr heiß sein und Verbrennungen verursachen.
13. Lassen Sie das Werkzeug nicht unnötig im Leerlauf laufen.
14. Manche Materialien können giftige Chemikalien enthalten. Treffen Sie Vorsichtsmaßnahmen, um das Einatmen von Arbeitsstaub und Hautkontakt zu verhüten. Befolgen Sie die Sicherheitsdaten des Materialherstellers.
15. Verwenden Sie stets die korrekte Staubschutz- oder Atemmaske für das jeweilige Material und die Anwendung.

## BEWAHREN SIE DIESE HINWEISE SORGFÄLTIG AUF.

### WARNUNG:

**MISSBRAUCH** oder Missachtung der Sicherheitsvorschriften in dieser Anleitung können schwere Verletzungen verursachen.

## FUNKTIONSBESCHREIBUNG

### VORSICHT:

- Vergewissern Sie sich vor jeder Einstellung oder Funktionsprüfung der Maschine stets, dass sie ausgeschaltet und vom Stromnetz getrennt ist.

### Wahl der Schnittbewegung (Für Modelle 4328/4329) (Abb. 1)

Diese Maschine kann mit Pendelhub oder Linearhub (gerade Auf-Ab-Bewegung) betrieben werden. Bei Pendelhub wird das Sägeblatt im Schnitthub vorwärts geschoben, wodurch erheblich höhere Schnittgeschwindigkeiten möglich sind.

Zum Umschalten der Schnittbewegung drehen Sie einfach den Umschalthebel auf die Position der gewünschten Schnittbewegung.

Wählen Sie die geeignete Schnittbewegung anhand der Tabelle aus.

Position	Schnittbewegung	Anwendungen
0	Geradlinige Schnittbewegung	Zum Schneiden von Weichstahl, Edelstahl und Kunststoff.
		Für saubere Schnitte in Holz und Sperrholz.
I	Kleiner Pendelhub	Zum Schneiden von Weichstahl, Aluminium und Hartholz.
II	Mittlerer Pendelhub	Zum Schneiden von Holz und Sperrholz.
		Für schnelles Schneiden von Aluminium und Weichstahl.
III	Großer Pendelhub	Für schnelles Schneiden von Holz und Sperrholz.

## Schalterfunktion (Abb. 2)

### VORSICHT:

- Überprüfen Sie vor dem Anschließen der Maschine an das Stromnetz stets, ob der Schalter ordnungsgemäß funktioniert und beim Loslassen in die "AUS"-Stellung zurückkehrt.

Zum Einschalten der Maschine einfach den Schalter drücken. Zum Ausschalten den Schalter loslassen. Für Dauerbetrieb den Schalter drücken, und dann die Schalterarretierung hineindrücken.

Zum Ausrasten der Schalterarretierung den Elektronikschalter ganz hineindrücken und dann loslassen.

## Hubzahl-Stellrad (Für Modelle 4327/4328/4329) (Abb. 3)

Die Hubzahl kann durch Drehen des Hubzahl-Stellrads zwischen 500 und 3.100 Hüben pro Minute eingestellt werden. Auf dem Hubzahl-Stellrad sind die Positionen 1 (niedrigste Hubzahl) bis 6 (höchste Hubzahl) markiert. Hinweise auf die richtige, werkstoffgerechte Hubzahl entnehmen Sie der Tabelle. Die geeignete Hubzahl kann jedoch je nach Art und Dicke des Werkstücks unterschiedlich sein. Höhere Hubzahlen ermöglichen im allgemeinen schnelleres Sägen von Werkstücken, bewirken aber auch eine Verkürzung der Lebensdauer des Sägeblatts.

Werkstoff	Hubzahl-Einstellung
Holz	5 – 6
Weichstahl	3 – 6
Edelstahl	3 – 4
Aluminium	3 – 6
Kunststoff	1 – 4

### VORSICHT:

- Wird die Maschine über längere Zeitspannen im Dauerbetrieb mit niedriger Drehzahl betrieben, wird der Motor überlastet und überhitzt.
- Das Hubzahl-Stellrad läßt sich nur bis zur Position 6 vor- und bis zur Position 1 zurückdrehen. Drehen Sie es nicht gewaltsam über die Position 6 oder 1 hinaus, weil sonst eine genaue Einstellung der Hubzahl nicht mehr möglich ist.

## MONTAGE

### VORSICHT:

- Vergewissern Sie sich vor der Ausführung von Arbeiten an der Maschine stets, dass sie ausgeschaltet und vom Stromnetz getrennt ist.

## Montage/Demontage des Sägeblatts (Abb. 4 u. 5)

### VORSICHT:

- Säubern Sie Sägeblatt und/oder Sägeblatthalter stets von anhaftenden Spänen oder Fremdkörpern. Anderenfalls besteht die Gefahr, daß das Sägeblatt nicht richtig sitzt, was zu schweren Verletzungen führen kann.
- Vermeiden Sie eine Berührung des Sägeblatts oder des Werkstücks unmittelbar nach der Bearbeitung, weil sie dann noch sehr heiß sind und Hautverbrennungen verursachen können.

- Ziehen Sie das Sägeblatt stets fest an. Unzureichendes Anziehen des Sägeblatts kann zu Sägeblattbruch oder schweren Körperverletzungen führen.
- Verwenden Sie nur Sägeblätter des Typs B. Die Verwendung von anderen Sägeblättern außer solchen des Typs B verursacht unzureichende Befestigung des Sägeblatts, was zu schweren Körperverletzungen führen kann.

Zum Montieren des Sägeblatts die Schraube am Sägeblatthalter mit dem Inbusschlüssel durch Drehen entgegen dem Uhrzeigersinn lösen.

Das Sägeblatt mit den Zähnen nach vorn weisend bis zum Anschlag in den Sägeblatthalter einführen. Vergewissern Sie sich, dass die Hinterkante des Sägeblatts in der Rolle sitzt. Dann die Schraube zur Sicherung des Sägeblatts im Uhrzeigersinn festziehen.

Zum Demontieren des Sägeblatts ist das Montageverfahren umgekehrt anzuwenden.

### HINWEIS:

- Schmieren Sie die Führungsrolle von Zeit zu Zeit.

## Inbusschlüssel-Aufbewahrung (Abb. 6)

Der Inbusschlüssel kann an der in der Abbildung gezeigten Stelle aufbewahrt werden, damit er nicht verloren geht.

## Einstellen der Führungsrolle (Für Modelle 4326/4327) (Abb. 7)

Lösen Sie die Schraube auf der Rückseite der Grundplatte mit dem Innensechskantschlüssel. Verschieben Sie das Klemmstück, so daß die Rolle das Sägeblatt leicht berührt. Ziehen Sie dann die Schraube zur Befestigung von Grundplatte und Klemmstück an.

### HINWEIS:

- Die Führungsrolle von Zeit zu Zeit schmieren.

## Schutzhaube (Abb. 8)

### VORSICHT:

- Tragen Sie stets eine Schutzbrille, wenn Sie die Stichsäge mit abgesenkter Schutzhaube betreiben.

Senken Sie die Schutzhaube ab, um Herausfliegen von Spänen zu verhüten. Zum Ausführen von Gehrungsschnitten muß sie jedoch ganz angehoben werden.

## BETRIEB

### VORSICHT:

- Setzen Sie die Grundplatte der Stichsäge stets flach auf das Werkstück auf. Anderenfalls besteht die Gefahr eines Sägeblattbruchs, was zu schweren Verletzungen führen kann.
- Schieben Sie die Maschine beim Kurvenschneiden oder Dekupieren sehr langsam vor. Gewaltiges Vorschieben der Maschine kann zu einer schiefen Schnittfläche oder Sägeblattbruch führen.

Schalten Sie die Maschine ein, ohne dass das Sägeblatt Kontakt hat, und warten Sie, bis sie ihre volle Hubzahl erreicht. Setzen Sie die Grundplatte flach auf das Werkstück, und bewegen Sie die Maschine entlang der vorher markierten Schnittlinie sachte vorwärts. (Abb. 9)

## Gehrungsschnitte

### VORSICHT:

- Vergewissern Sie sich vor dem Kippen der Grundplatte stets, daß die Maschine ausgeschaltet und vom Netz getrennt ist.

- Heben Sie die Schutzhaube bei Gehrungsschnitten bis zum Anschlag.

Durch Neigen der Grundplatte können Gehrungsschnitte in jedem Winkel zwischen 0° und 45° (links oder rechts) ausgeführt werden. (**Abb. 10**)

Lösen Sie die Schraube an der Rückseite der Grundplatte mit dem Inbusschlüssel. Verschieben Sie die Grundplatte so, daß sich die Innensechskantschraube in der Mitte des Kreuzschlitzes in der Grundplatte befindet. (**Abb. 11**)

Neigen Sie die Grundplatte, bis der gewünschte Winkel erreicht ist. Die Kante des Motorgehäuses kennzeichnet den Neigungswinkel mit Teilstrichen. Dann die Schraube zur Befestigung der Grundplatte festziehen. (**Abb. 12**)

### Randnahe Schnitte (**Abb. 13**)

Lösen Sie die Innensechskantschraube an der Unterseite der Maschine und schieben Sie die Grundplatte bis zum Anschlag zurück. Ziehen Sie anschließend die Innensechskantschraube zur Befestigung der Grundplatte wieder an.

### Ausschnitte

Es gibt zwei Möglichkeiten, Ausschnitte durchzuführen:

#### A) Vorbohren

Bei Innenausschnitten ohne Zuführschnitt von einer Kante aus machen Sie eine Vorbohrung von ca. 12 mm Durchmesser. Das Sägeblatt in diese Öffnung einführen und mit dem Sägen beginnen. (**Abb. 14**)

#### B) Tauchschnitte

Um Schnitte ohne Vorbohren oder Zuführschnitt auszuführen, gehen Sie wie folgt vor:

1. Die Stichsäge auf der Vorderkante der Grundplatte kippen, so daß die Sägeblattspitze dicht über der Oberfläche des Werkstücks liegt. (**Abb. 15**)
2. Druck auf die Stichsäge ausüben, damit die Vorderkante der Grundplatte nicht verrutscht, wenn die Stichsäge eingeschaltet und das hintere Ende langsam abgesenkt wird.
3. Sobald das Sägeblatt in das Werkstück eindringt, die Grundplatte langsam auf die Oberfläche des Werkstücks absenken.
4. Den Schnitt in gewohnter Weise beenden.

### Bearbeitung von Kanten (**Abb. 16**)

Um Kanten nachzuarbeiten oder Maßkorrekturen vorzunehmen, das Sägeblatt leicht an den Schnittkanten entlangführen.

### Schneiden von Metall

Beim Schneiden von Metall stets ein geeignetes Kühlmittel (Schneidöl) verwenden. Nichtbeachtung verursacht erheblichen Verschleiß des Sägeblatts. Anstelle von Kühlmittel kann auch die Unterseite des Werkstücks eingefettet werden.

### Staubabsaugung (**Abb. 17**)

Durch den Anschluß dieser Maschine an ein Absauggerät wird staubarmes Arbeiten ermöglicht. Schließen Sie den Schlauch eines Absauggerätes an den Absaugstutzen an. Senken Sie die Schutzhaube vor dem Betrieb ab.

#### HINWEIS:

- Bei Gehrungsschnitten ist keine Staubabsaugung möglich.

### Parallelenschlag (Sonderzubehör)

#### VORSICHT:

- Vergewissern Sie sich vor dem Montieren oder Demonstrieren von Zubehör stets, daß die Maschine ausgeschaltet und vom Netz getrennt ist.

#### 1) Gerade Schnitte (**Abb. 18, 19, 20 u. 21**)

Bei wiederholtem Schneiden von Breiten kleiner als 160 mm gewährleistet der Parallelenschlag schnelle, saubere und gerade Schnitte.

Führen Sie den Parallelenschlag in die rechteckige Öffnung an der Seite der Grundplatte ein, so daß die Anschlagführung nach unten gerichtet ist. Schieben Sie den Parallelenschlag zur Position der gewünschten Schnittbreite, und ziehen Sie dann die Schraube zur Befestigung an.

#### 2) Kreisschnitte (**Abb. 22, 23, 24 u. 25**)

Um Kreis- oder Bogenschnitte von weniger als 170 mm Radius durchzuführen, montieren Sie den Parallelenschlag wie folgt.

Führen Sie den Parallelenschlag in die rechteckige Öffnung an der Seite der Grundplatte ein, so daß die Anschlagführung nach oben gerichtet ist. Setzen Sie den Dorn des Kreisschneiders in eine der beiden Bohrungen in der Anschlagführung ein, und sichern Sie ihn mit dem Gewindeknopf.

Schieben Sie nun den Parallelenschlag zu dem gewünschten Schnittradius, und ziehen Sie die Schraube zur Befestigung an. Schieben Sie dann die Grundplatte der Maschine ganz nach vorn.

#### HINWEIS:

- Verwenden Sie stets die Sägeblätter Nr. B-17, B-18, B-26 oder B-27 für kreis- oder bogenförmige Schnitte.

### Splitterschutz für Stahl-Grundplatte (Sonderzubehör) (**Abb. 26**)

Für splitterfreie Schnitte kann der Splitterschutz verwendet werden. Zum Montieren des Splitterschutzes die Grundplatte ganz nach vorn schieben, und die Vorrichtung zwischen die zwei Vorsprünge der Grundplatte einführen.

#### HINWEIS:

- Bei der Durchführung von Neigungsschnitten kann der Splitterschutz nicht verwendet werden.

### Splitterschutz für Aluminium-Grundplatte (Sonderzubehör) (**Abb. 27**)

Um splitterfreie Schnitte auszuführen, empfiehlt sich die Verwendung des Spanreißschutzes. Schieben Sie die Grundplatte bis zum Anschlag nach vorne, und montieren Sie den Spanreißschutz von der Unterseite der Grundplatte. Wenn Sie die Gleitplatte verwenden, montieren Sie den Spanreißschutz auf die Gleitplatte.

#### VORSICHT:

- Bei Gehrungsschnitten kann der Spanreißschutz nicht verwendet werden.

### Abdeckplatte für Aluminium-Grundplatte (Sonderzubehör) (**Abb. 28**)

Verwenden Sie die Gleitplatte zum Schneiden von dekorativen Furnieren, Kunststoffen usw. Sie schützt empfindliche oder feine Oberflächen vor Beschädigung. Passen Sie die Gleitplatte auf die Unterseite der Grundplatte.

## WARTUNG

### VORSICHT:

- Denken Sie vor der Durchführung von Überprüfungen oder Wartungsarbeiten stets daran, die Maschine auszuschalten und vom Stromnetz zu trennen.

Um die SICHERHEIT und ZUVERLÄSSIGKEIT dieses Produkts aufrechtzuerhalten, sollten Reparaturen, Überprüfung und Austausch der Kohlebürsten und andere Wartungs- oder Einstellarbeiten nur von Makita-Kundendienstzentren unter ausschließlicher Verwendung von Makita-Originalersatzteilen ausgeführt werden.

## ZUBEHÖR

### VORSICHT:

- Die folgenden Zubehörteile oder Vorrichtungen werden für den Einsatz mit der in dieser Anleitung beschriebenen Makita-Maschine empfohlen. Die Verwendung anderer Zubehörteile oder Vorrichtungen kann eine Verletzungsgefahr darstellen. Verwenden Sie Zubehörteile oder Vorrichtungen nur für ihren vorgesehenen Zweck.

Wenn Sie weitere Einzelheiten bezüglich dieser Zubehörteile benötigen, wenden Sie sich bitte an Ihre Makita-Kundendienststelle.

- Sägeblatt
- Inbusschlüssel 3
- Parallelanschlagsatz (führungslinealsatz)
- Spanreißschutz
- Schlauch (Für Staubsauger)
- Gleitplatte (Für Typ mit Aluminium-Grundplatte)

**Modell; 4326, 4327**

**Nur für europäische Länder**

### Geräusch

Typischer A-bewerteter Geräuschpegel ermittelt gemäß EN60745-2-11:

Schalldruckpegel ( $L_{pA}$ ): 86 dB (A)  
Schalleistungspegel ( $L_{wA}$ ): 97 dB (A)  
Ungewissheit (K): 3 dB (A)

**Gehörschutz tragen.**

### Vibration

Vibrationsgesamt看wert (Drei-Achsen-Vektorsumme) ermittelt gemäß EN60745-2-11:

Arbeitsmodus: Schneiden von Spanplatten  
Vibrationsemission ( $a_{h,CW}$ ): 5 m/s<sup>2</sup>  
Ungewissheit (K): 1,5 m/s<sup>2</sup>

Arbeitsmodus: Schneiden von Blechen  
Vibrationsemission ( $a_{h,CM}$ ): 4,5 m/s<sup>2</sup>  
Ungewissheit (K): 1,5 m/s<sup>2</sup>

**Modell; 4328, 4329**

**Nur für europäische Länder**

### Geräusch

Typischer A-bewerteter Geräuschpegel ermittelt gemäß EN60745-2-11:

Schalldruckpegel ( $L_{pA}$ ): 83 dB (A)  
Ungewissheit (K): 3 dB (A)

Der Lärmpegel kann während des Betriebs 85 dB (A) überschreiten.

**Gehörschutz tragen.**

### Vibration

Vibrationsgesamt看wert (Drei-Achsen-Vektorsumme) ermittelt gemäß EN60745-2-11:

Arbeitsmodus: Schneiden von Spanplatten  
Vibrationsemission ( $a_{h,CW}$ ): 7 m/s<sup>2</sup>  
Ungewissheit (K): 1,5 m/s<sup>2</sup>

Arbeitsmodus: Schneiden von Blechen  
Vibrationsemission ( $a_{h,CM}$ ): 5 m/s<sup>2</sup>  
Ungewissheit (K): 1,5 m/s<sup>2</sup>

## CE-KONFORMITÄTSERKLÄRUNG

**Modell; 4326, 4327, 4328, 4329**

ENH101-8

Hiermit erklärt wir unter unserer alleinigen Verantwortung, daß dieses Produkt gemäß den Ratsdirektiven 2004/108/EG und 98/37/EG mit den folgenden Normen von Normendokumenten übereinstimmen:

EN60745, EN55014, EN61000.

*Tomoyasu Kato* **CE 2007**



Direktor

Verantwortlicher Hersteller:

**Makita Corporation**

3-11-8, Sumiyoshi-cho, Anjo, Aichi, JAPAN


Autorisierte Vertretung in Europa:

**Makita International Europe Ltd.**

Michigan Drive, Tongwell, Milton Keynes,  
Bucks MK15 8JD, ENGLAND

1	Dźwignia zmiany sposobu cięcia	11	Ustalacz	21	Typ z aluminium podstawą
2	Spust włącznika	12	Podstawa	22	Oslona przewodnicy
3	Przycisk pracy ciągłej	13	Pokrywa przeciwpyłowa	23	Wodzik przewodnicy
4	Pokrętko regulacji prędkości	14	Linia cięcia	24	Nagwintowana gałka
5	Uchwyt brzeszczotu	15	Brzeg	25	Przetyczka
6	Śruba	16	Skala	26	Urządzenie antyodpryskowe
7	Klucz sześciokątny	17	Otwór początkowy	27	Występy
8	Brzeszczot	18	Waż	28	Aluminiowa podstawa
9	Wałek	19	Typ ze stalową podstawą	29	Płyta ochronna
10	Haczyk	20	Prowadnica (wyposażenie dodatkowe)		

**DANE TECHNICZNE**

Model		4326	4327	4328	4329
Długość przesuwu		18 mm	18 mm	18 mm	18 mm
Typ brzeszczotu		Typ B			
Maksymalna zdolność cięcia	Drewno	65 mm	65 mm	65 mm	65 mm
	Stal miękka	6 mm	6 mm	6 mm	6 mm
Liczba uderzeń na minutę (min <sup>-1</sup> )		3100	500 – 3100	500 – 3100	500 – 3100
Całkowita długość		217 mm (Typ ze stalową podstawą)	217 mm (Typ ze stalową podstawą)	217 mm	223 mm
		223 mm (Typ ze aluminium podstawą)	223 mm (Typ ze aluminium podstawą)		
Ciężar netto		1,8 kg (Typ ze stalową podstawą)	1,8 kg (Typ ze stalową podstawą)	1,8 kg	1,9 kg
		1,9 kg (Typ ze aluminium podstawą)	1,9 kg (Typ ze aluminium podstawą)		
Klasa bezpieczeństwa		 II			

- Ze względu na prowadzony program udoskonaleń i badań, podane dane techniczne mogą zostać zmienione bez uprzedzenia.
- Uwaga: Dane techniczne mogą się różnić w zależności od kraju.

**Przeznaczenie**

Urządzenie jest przeznaczone do cięcia drewna, plastiku i metalu. Dzięki wielu funkcjom elementów wyposażenia i samej wyrzynarki urządzenie może być używane do wielu celów i znakomicie nadaje się do wycięcia krzywoliniowych lub po okręgu.

**Zasilanie**

Urządzenie to powinno być podłączone tylko do źródła zasilania o takim samym napięciu jak pokazano na tabliczce znamionowej i może być używane tylko dla zmiennego prądu jednofazowego. Zgodnie ze standardami Unii Europejskiej zastosowano podwójną izolację i dlatego też możliwe jest zasilanie z gniazda bez uziemienia.

**Ogólne ostrzeżenia dotyczące bezpieczeństwa dla urządzenia zasilanego prądem**

**OSTRZEŻENIE! Przeczytaj wszystkie ostrzeżenia dotyczące bezpieczeństwa i wszystkie instrukcje.**

Niestosowanie się do ostrzeżeń i instrukcji może doprowadzić do porażenia prądem, pożaru lub poważnych obrażeń.

**Zachowaj wszystkie ostrzeżenia i instrukcje do wykorzystania w przyszłości.**

**Bezpieczeństwo miejsca pracy**

1. **Miejsce pracy powinno być uporządkowane i dobrze oświetlone.** Nieuporządkowane i ciemne miejsca sprzyjają wypadkom.
2. **Nie używaj urządzeń zasilanych prądem w miejscach, gdzie w powietrzu znajdują się substancje wybuchowe, np. w pobliżu palnych płynów, gazów lub pyłów.** Urządzenia zasilane prądem wytwarzają iskry, które mogą zapalić pyły lub opary.

3. **Podczas pracy z urządzeniem zasilanym prądem dzieci i osoby postronne powinny znajdować się z dala.** Rozproszenie może doprowadzić do utraty panowania.

#### **Bezpieczeństwo elektryczne**

4. **Wtyczki urządzeń zasilanych prądem muszą pasować do gniazdek. Nigdy nie przerabiaj wtyczki w żaden sposób.** Dla urządzeń zasilanych prądem z uziemieniem **nie używaj żadnych adapterów wtyczek.** Nie przerabiane wtyczki i pasujące do nich gniazdzka zmniejszają niebezpieczeństwo porażenia prądem.
5. **Unikaj dotykania ciała uziemionki powierzchni, takich jak rury, kaloryfery, grzejniki i lodówki.** Kiedy ciało jest uziemione, niebezpieczeństwo porażenia prądem jest większe.
6. **Nie narażaj urządzeń zasilanych prądem na deszcz lub wilgoć.** Dostanie się wody do wnętrza urządzenia zasilanego prądem może zwiększyć niebezpieczeństwo porażenia prądem.
7. **Obchodź się starannie z przewodem. Nigdy nie używaj go do przenoszenia, przeciągania lub odłączania od zasilania urządzenia zasilanego prądem.** Trzymaj przewód z dala od źródeł ciepła, oleju ostrych krawędzi i ruchomych części. Uszkodzone lub splątane przewody zwiększają niebezpieczeństwo porażenia prądem.
8. **Podczas używania urządzenia zasilanego prądem na zewnątrz korzystaj z przedłużacza przeznaczonego do użytku na zewnątrz.** Korzystanie z przedłużacza przeznaczonego do użytku na zewnątrz zmniejsza niebezpieczeństwo porażenia prądem.
9. **Jeżeli nie możesz uniknąć używania urządzenia zasilanego prądem w mokrym miejscu, korzystaj ze zwiarcioowego przerywacza obwodu.** Korzystanie ze zwiarcioowego przerywacza obwodu ogranicza niebezpieczeństwo porażenia prądem.

#### **Bezpieczeństwo osobiste**

10. **Podczas pracy z urządzeniem zasilanym prądem zachowuj czujność, uważaj, co robisz, i zachowuj zdrowy rozsądek.** Nie używaj urządzeń zasilanych prądem, kiedy jesteś zmęczony lub pod wpływem narkotyków, alkoholu lub leków. Chwila nieuwagi podczas obsługi urządzenia zasilanego prądem może doprowadzić do poważnych obrażeń.
11. **Używaj osobistego wyposażenia ochronnego. Zawsze zakładaj osłonę oczu.** Wyposażenia ochronne, takie jak maska przeciwpyłowa, obuwie z podeszwą antypoślizgową, kask lub osłona uszu, używane w wymagających tego sytuacjach, może zapobiec obrażeniom osobistym.
12. **Unikaj przypadkowego włączenia urządzenia. Przed podłączeniem do źródła zasilania lub zestawu akumulatorowego, podnoszeniem lub przenoszeniem urządzenia upewnij się, czy włącznik znajduje się w położeniu wyłączonym.** Przenoszenie urządzenia z palcem na włączniku lub podłączanie do zasilania z włączonym włącznikiem prowokuje wypadki.
13. **Przed włączeniem urządzenia zasilanego prądem zdejmij z niego wszelkie klucze do regulacji.** Pozostawienie klucza założonego na obracającą się część urządzenia zasilanego prądem może spowodować obrażenia.

14. **Nie pochylaj się zbyt silnie. Przez cały czas stój pewnie i w równowadze.** Pozwala to na lepsze panowanie nad urządzeniem zasilanym prądem w nieoczekiwanych sytuacjach.
15. **Ubijaj się właściwie. Nie zakładaj luźnych rzeczy lub biżuterii. Trzymaj włosy, ubranie i rękawice z dala od ruchomych części.** Luźne ubranie, biżuteria i długie włosy mogą zaplątać się w ruchome części.
16. **Jeżeli posiadasz urządzenia do podłączenia wyciągów pyłu, upewnij się, czy są one podłączone i prawidłowo używane.** Korzystanie z wyciągów pyłu może ograniczyć zagrożenia powodowane przez pył.

#### **Korzystanie i dbanie o urządzenia zasilane prądem**

17. **Nie przeciążaj urządzeń zasilanych prądem. Korzystaj z urządzeń przeznaczonych do wykonywania danej pracy.** Właściwe urządzenie zasilane prądem wykona pracę lepiej i bezpieczniej, kiedy będzie używane w tempie, na jakie zostało zaprojektowane.
18. **Nie używaj urządzenia zasilanego prądem, jeżeli nie można go włączyć i wyłączyć włącznikiem.** Wszelkie urządzenia zasilane prądem, których nie można kontrolować włącznikiem są niebezpieczne i muszą być naprawione.
19. **Przed wykonywaniem wszelkich regulacji, wymianą wyposażenia lub przechowywaniem urządzenia zasilanego prądem odłącz wtyczkę od źródła zasilania lub odłącz akumulator.** Taki środek zapobiegawczy zmniejsza niebezpieczeństwo przypadkowego uruchomienia urządzenia.
20. **Przechowuj nie używane urządzenia zasilane prądem poza zasięgiem dzieci i nie pozwalaj, aby obsługiwały je osoby nie zaznajomione z nimi lub niniejszą instrukcją obsługi.** Urządzenia zasilane prądem w rękach nie przeszkolonych osób są niebezpieczne.
21. **Konserwuj urządzenia zasilane prądem. Sprawdź, czy ruchome części są prawidłowo ustawione i nie blokują się, czy części nie są pęknięte i czy nie zachodzą inne warunki mogące mieć wpływ na pracę urządzenia zasilanego prądem.** Jeżeli urządzenie zasilane prądem będzie uszkodzone, napraw je przed użyciem. Źle utrzymane urządzenia zasilane prądem powodują wiele wypadków.
22. **Urządzenia tnące powinny być czyste i naostrzone.** Właściwie utrzymane urządzenia tnące z naostrzonymi ostrzami nie zakleszczają się tak łatwo i można nad nimi łatwiej panować.
23. **Używaj wyposażenia, końcówek roboczych itp. urządzeń zasilanych prądem zgodnie z niniejszą instrukcją obsługi, biorąc pod uwagę warunki pracy i wykonywane zadanie.** Używanie urządzeń zasilanych prądem do prac, do których nie są one przeznaczone, może doprowadzić do niebezpiecznych sytuacji.

#### **Serwis**

24. **Serwis urządzeń zasilanych prądem powinien być wykonywany przez wykwalifikowane osoby i przy użyciu wyłącznie jednakowych części zamiennych.** Zapewni to zachowanie bezpieczeństwa pracy z urządzeniem zasilanym prądem.

25. Postępuj zgodnie z zaleceniami dotyczącymi smarowania i wymiany wyposażenia.
26. Uchwyty powinny być suche, czyste i nie pokryte olejem lub smarem.

## SZCZEGÓLWE ZASADY BEZPIECZEŃSTWA

NIE pozwól, aby poczucie pewności i znajomości urządzenia (uzyskane w wyniku wielokrotnego używania) zastąpiły ściśle przestrzeganie zasad bezpiecznej pracy z wyrzynarką. Jeżeli to urządzenie zasilane prądem będzie używane w sposób niebezpieczny lub nieprawidłowy, może dojść do poważnych obrażeń.

1. Podczas wykonywania prac, w trakcie których urządzenie tnące może zetknąć się z ukrytymi przewodami elektrycznymi lub własnym kablem, trzymaj urządzenie zasilane prądem za izolowane powierzchnie uchwytu. Zetknięcie się z przewodem elektrycznym pod napięciem może spowodować, że odsłonięte metalowe części urządzenia znajdują się również pod napięciem, co może doprowadzić do porażenia prądem operatora.
2. Używaj zacisków lub innych sposobów, aby przymocować i podeprzeć obrabiany przedmiot na stabilnej podstawie. Jeżeli obrabiany przedmiot będzie trzymany ręką lub przeciskanie ciałem, będzie on niestabilny i może dojść do utraty kontroli nad nim.
3. Zawsze używaj okularów ochronnych lub gogli. Zwykłe okulary lub okulary słoneczne NIE są okularami ochronnymi.

4. Unikaj przecinania gwoździ. Przed przystąpieniem do pracy sprawdź obrabiany przedmiot i usuń wszystkie gwoździe.
5. Nie przecinaj zbyt dużych przedmiotów.
6. Przed przecinaniem sprawdź, czy pod obrabianym przedmiotem znajduje się wolna przestrzeń, aby brzeszczot nie uderzył w podłogę, stół warsztatowy itp.
7. Trzymaj urządzenie pewnie.
8. Upewnij się, czy przewód nie znajduje się na drodze ani na linii cięcia.
9. Trzymaj ręce z daleka od ruchomych części.
10. Nie oddalaj się od pracującego urządzenia. Obsługuj urządzenie tylko wtedy, gdy trzymasz je w ręce.
11. Przed wycięciem brzeszczotu z przecinanego przedmiotu zawsze wyłącz urządzenie i zaczekaj, aż brzeszczot zatrzyma się całkowicie.
12. Nie dotykaj brzeszczotu ani przecinanego przedmiotu natychmiast po wycinaniu; mogą one być bardzo gorące i poparzyć skórę.
13. Nie uruchamiaj urządzenia bez potrzeby bez obciążenia.
14. Niektóre materiały zawierają związki chemiczne, które mogą być trujące. Podejmij środki ostrożności, aby zapobiec wdychaniu pyłu i ich kontaktowi ze skórą. Stosuj się do środków bezpieczeństwa podanych przez producenta.
15. Zawsze używaj maski przeciwpyłowej/respiratora właściwego dla obrabianego materiału i wykonywanej pracy.

## ZACHOWAJ TĘ INSTRUKCJĘ.

## OPIS DZIAŁANIA

### OSTRZEŻENIE:

- Przed regulacją lub sprawdzaniem działania urządzenia zawsze upewnij się, czy jest ono wyłączone i odłączone od zasilania.

### Wybór sposobu cięcia (Dla modeli 4328/4329) (Rys. 1)

Urządzenie może ciąć wzdłuż okręgu lub linii prostej (do góry i dołu). W trakcie cięcia wzdłuż okręgu, podczas przesuwu brzeszczot jest również wysuwany do przodu, co bardzo zwiększa prędkość cięcia.

Aby zmienić sposób cięcia, obróć dźwignię zmiany sposobu cięcia do położenia odpowiadającego żądanemu sposobowi.

Zapoznaj się z tabelą, aby wybrać właściwy sposób cięcia.

Położenie	Sposób cięcia	Zastosowanie
0	Cięcie wzdłuż linii prostej	Do cięcia stali miękkiej, nierdzewnej i plastiku
		Do równego cięcia drewna i sklejki.
I	Cięcie wzdłuż łuku o małym promieniu	Do cięcia stali miękkiej, aluminium i twardego drewna.
II	Cięcie wzdłuż łuku o średnim promieniu	Do cięcia drewna i sklejki.
		Do szybkiego cięcia aluminium i stali miękkiej.
III	Cięcie wzdłuż łuku o dużym promieniu	Do szybkiego cięcia drewna i sklejki.

### Działanie włącznika (Rys. 2)

#### OSTRZEŻENIE:

- Przed podłączeniem urządzenia do zasilania zawsze sprawdź, czy spust włącznika działa poprawnie i powraca do położenia "OFF" po zwolnieniu.

Aby włączyć urządzenie, pociągnij za spust włącznika. Aby je zatrzymać, zwolnij spust.

W celu uzyskania pracy ciągłej pociągnij za spust, a następnie wcisnij przycisk pracy ciągłej.

Aby zatrzymać urządzenie pracujące w sposób ciągły, pociągnij do końca za spust, a następnie zwolnij go.

## **Pokrętło regulacji prędkości (Dla modeli 4327/4328/4329) (Rys. 3)**

Prędkość urządzenia może być dowolnie regulowana pomiędzy 500 a 3100 przesułów na minutę poprzez obracanie pokrętłem regulacyjnym. Wyższą prędkość uzyskuje się obracając pokrętło w stronę liczby 6; niższą prędkość obracając je w stronę liczby 1.

Aby wybrać właściwą prędkość dla przecinanego przedmiotu, posłuż się poniższą tabelą. Właściwa prędkość może jednak różnić się w zależności od rodzaju i grubości przecinanego przedmiotu. Ogólnie mówiąc, wyższe prędkości pozwalają na szybsze cięcie, ale skracają żywotność brzeszczotu.

<b>Przecinany przedmiot</b>	<b>Liczba na pokrętło regulacyjnym</b>
Drewno	5 – 6
Stal miękka	3 – 6
Stal nierdzewna	3 – 4
Aluminium	3 – 6
Plastik	1 – 4

### **OSTRZEŻENIE:**

- Jeżeli urządzenie będzie pracowało z niską prędkością przez dłuższy czas, silnik może zostać przeciążony i przegrzany.
- Pokrętło regulacji prędkości może być obracane tylko do 6 i z powrotem do 1. Nie obracaj go na siłę poza 6 lub 1, ponieważ funkcja regulacji prędkości może przestać działać.

## **SKŁADANIE**

### **OSTRZEŻENIE:**

- Przed przystąpieniem do jakiegokolwiek pracy nad urządzeniem zawsze upewnij się, czy jest ono wyłączone i odłączone od zasilania.

## **Zakładanie lub wyjmowanie brzeszczotu (Rys. 4 i 5)**

### **OSTRZEŻENIE:**

- Zawsze oczyść wióry i ciała obce przylegające do brzeszczotu i jego uchwytu. Niestosowanie się do tego zalecenia może doprowadzić do niewystarczającego zamocowania brzeszczotu i poważnego zranienia.
- Nie dotykaj brzeszczotu ani przecinanego przedmiotu natychmiast po przecinaniu; mogą one być bardzo gorące i poparzyć skórę.
- Zawsze zamocuj pewnie brzeszczot. Niewystarczające dokręcenie brzeszczotu może spowodować jego pęknięcie lub poważne obrażenia osobiste.
- Używaj wyłącznie brzeszczotów typu B. Używanie brzeszczotów innych niż typu B powoduje niewystarczające dokręcenie brzeszczotu i prowadzi do poważnych obrażeń osobistych.

Aby założyć brzeszczot, odkręć śrubę na uchwycie brzeszczotu przeciwnie do ruchu wskazówek zegara kluczem sześciokątnym.

Włóż brzeszczot do uchwytu brzeszczotu najgłębiej jak to jest możliwe i tak, aby zęby były zwrócone do przodu. Sprawdź, czy grzbiet brzeszczotu wszedł w wałek. Następnie zakręć śrubę zgodnie z ruchem wskazówek zegara, aby zamocować brzeszczot.

Aby zdjąć brzeszczot, wykonaj procedurę zakładania w odwrotnej kolejności.

### **UWAGA:**

- Smaruj wałek od czasu do czasu.

## **Przechowywanie klucza sześciokątnego (Rys. 6)**

Kiedy nie używasz klucza sześciokątnego, przechowuj go w sposób pokazany na rysunku, aby nie zgubić go.

## **Regulacja wałka (Dla modeli 4326/4327) (Rys. 7)**

Odkręć kluczem sześciokątnym śrubę z tyłu podstawy urządzenia. Przesuń ustalacz tak, aby wałek stykał się lekko z brzeszczotem. Następnie zakręć śrubę, aby zamocować podstawę urządzenia i ustalacz.

### **UWAGA:**

- Smaruj wałek od czasu do czasu.

## **Pokrywa przeciwpyłowa (Rys. 8)**

### **OSTRZEŻENIE:**

- Zawsze noś okulary ochronne, nawet kiedy obsługujesz urządzenie z obniżoną pokrywą przeciwpyłową.

Obniż pokrywę przeciwpyłową, aby zapobiec odskakiwaniu wiórów. Jednak podczas wykonywania ciąg ukośnych podnieś ją całkowicie.

## **POSTĘPOWANIE**

### **OSTRZEŻENIE:**

- Zawsze utrzymuj podstawę urządzenia na równi z powierzchnią przecinanego przedmiotu. Niestosowanie się do tego zalecenia może spowodować złamanie brzeszczotu, prowadząc do poważnego zranienia.
- Podczas wycinania krzywych i spiral, przesuwaj urządzenie do przodu bardzo wolno. Wywieranie silnego nacisku na urządzenie może dać w rezultacie ukośną powierzchnię cięcia i spowodować pęknięcie brzeszczotu.

Włącz urządzenie trzymając je tak, aby brzeszczot nie stykał się z obrabianym przedmiotem i zaczekaj, aż osiągnie on pełną prędkość. Następnie ustaw podstawę urządzenia płasko na przecinany przedmiocie i delikatnie przesuwaj urządzenie do przodu wzdłuż uprzednio zaznaczonej linii cięcia. **(Rys. 9)**

## **Cięcie ukośne**

### **OSTRZEŻENIE:**

- Przed pochylaniem podstawy urządzenia zawsze upewnij się, czy jest ono wyłączone i odłączone od zasilania.
- Przed cięciem ukośnym pod kątem pionowym podnieś całkowicie osłonę przeciwpyłową.

Dzięki pochyleniu podstawy urządzenia można wykonywać cięcie ukośne pod dowolnym kątem pionowym od 0° do 45° (w prawo lub w lewo).

### **(Rys. 10)**

Odkręć śrubę na grzbiecie podstawy kluczem sześciokątnym. Przesuń podstawę tak, aby śruba znalazła się w środku krzyżowej szczeliny w podstawie.

### **(Rys. 11)**

Pochyl podstawę, aż osiągnie ona żądany kąt pionowy. Kąt cięcia ukośnego jest pokazany na skali na brzegu obudowy silnika. Następnie zakręć śrubę, aby zamocować podstawę. **(Rys. 12)**

### **Cięcia na powierzchni przedniej (Rys. 13)**

Odkręć śrubę na grzbiecie podstawy urządzenia kluczem sześciokątnym, a następnie przesunij podstawę do końca do tyłu. Następnie zakręć śrubę, aby zamocować podstawę.

### **Wycięcia**

Wycięcia mogą być wykonywane jedną z dwóch metod A lub B.

#### **A) Wiercenie otworu początkowego**

W celu wykonywania wycięć wewnętrznych, bez początkowego cięcia rozpoczynającego się od brzegu, wywierć najpierw otwór początkowy o średnicy ponad 12 mm. Aby rozpocząć wycinanie, włóż brzeszczot do tego otworu i chwyć pewnie urządzenie. (Rys. 14)

#### **B) Wycinanie z zagłębieniem**

Jeżeli postępujesz dokładnie według poniższych wskazówek, nie musisz wiercić otworu początkowego ani robić początkowego cięcia.

1. Pochyl urządzenie do przodu, opierając je na przednim brzegu podstawy, z wierzchołkiem brzeszczotu tuż nad powierzchnią obrabianego przedmiotu. (Rys. 15)
2. Naciśnij silnie na urządzenie, aby przedni brzeg podstawy nie przesunął się, kiedy włączysz urządzenie, a następnie delikatnie i powoli obniż tył urządzenia.
3. Kiedy brzeszczot będzie wycinał otwór w obrabianym przedmiocie, powoli obniżaj podstawę urządzenia do powierzchni obrabianego przedmiotu.
4. Zakończ wycinanie w normalny sposób.

### **Wykańczanie brzegów (Rys. 16)**

W celu przycinania brzegów lub nieznacznego przycinania do wymiarów, przesuwaj brzeszczot lekko wzdłuż brzegów cięcia.

### **Cięcie metalu**

Podczas cięcia metalu zawsze używaj odpowiedniego chłodziwa (cieczy chłodząco-smarującej). Niestosowanie się do tego zalecenia powoduje szybkie zużycie brzeszczotu. Zamiast używania chłodziwa, można nasmarować spodnią część obrabianego przedmiotu.

### **Wyciąganie pyłu (Rys. 17)**

Podłączając urządzenie do odkurzacza Makita, można uzyskać czyste cięcie. Włóż wąż odkurzacza do otworu z tyłu urządzenia. Przed przystąpieniem do pracy obniż pokrywę przeciwpylową.

UWAGA:

- Nie można wyciągać pyłu podczas cięcia pod kątem pionowym.

### **Prowadnica (wyposażenie dodatkowe)**

OSTRZEŻENIE:

- Przed zakładaniem lub zdejmowaniem wyposażenia zawsze upewnij się, czy urządzenie jest wyłączone i odłączone od zasilania.

### **1) Cięcia proste (Rys. 18, 19, 20 i 21)**

Podczas wielokrotnego przycinania przedmiotów o szerokości 160 mm lub mniejszej, stosowanie prowadnicy zapewnia szybkie, równe i proste cięcie. Aby założyć prowadnicę, włóż ją do prostokątnego otworu z boku podstawy urządzenia wodzikiem skierowanym w dół. Przesunij prowadnicę do żądanej szerokości cięcia, a następnie zakręć śrubę, aby ją zamocować.

### **2) Cięcia wzdłuż okręgu (Rys. 22, 23, 24 i 25)**

Podczas wycinania okręgów lub łuków o promieniu 170 mm lub mniejszym, załóż prowadnicę w następujący sposób.

Włóż prowadnicę do prostokątnego otworu z boku podstawy urządzenia wodzikiem skierowanym w górę. Przelóż szpilę prowadnicy do okręgów przez jeden z dwóch otworów w wodziku. Nakręć nagwintowaną gąlkę na szpilę, aby ją zamocować. Następnie przesunij prowadnicę do żądanego promienia cięcia i zakręć śrubę, aby unieruchomić ją w tym miejscu. Przesunij wtedy podstawę urządzenia do końca do przodu.

UWAGA:

- Podczas wycinania okręgów lub łuków zawsze używaj brzeszczotów nr B-17, B-18, B-26 lub B-27.

### **Urządzenie antyodpryskowe dla stalowej podstawy (wyposażenie dodatkowe) (Rys. 26)**

Aby uzyskać cięcie bez odprysków, można skorzystać z urządzenia antyodpryskowego. Aby założyć urządzenie antyodpryskowe, przesunij podstawę całkowicie do przodu i włóż urządzenie pomiędzy dwa występy w podstawie.

UWAGA:

- Urządzenia antyodpryskowego nie można używać podczas wykonywania cięć ukośnych.

### **Urządzenie antyodpryskowe dla aluminiowej podstawy (wyposażenie dodatkowe) (Rys. 27)**

W celu uzyskania cięcia bez odprysków, można użyć urządzenia antyodpryskowego. Aby założyć urządzenie antyodpryskowe, przesunij podstawę urządzenia do końca do przodu i załóż urządzenie antyodpryskowe na grzbiet podstawy. Kiedy używasz płyty ochronnej, załóż urządzenie antyodpryskowe na płytę ochronną.

OSTRZEŻENIE:

- Urządzenie antyodpryskowe nie może być używane podczas wykonywania cięć ukośnych.

### **Płyta ochronna dla aluminiowej podstawy (wyposażenie dodatkowe) (Rys. 28)**

Używaj płyty ochronnej podczas cięcia forniru meblarskiego, plastiku itp. Chroni ona wrażliwe lub delikatne powierzchnie przed uszkodzeniem. Przymocuj ją na grzbiecie podstawy urządzenia.

## KONSERWACJA

### UWAGA:

- Przed przystąpieniem do inspekcji lub konserwacji zawsze upewnij się, czy urządzenie jest wyłączone i odłączone od zasilania.

W celu zapewnienia **BEZPIECZEŃSTWA** pracy i **NIEZAWODNOŚCI** naprawy, oględziny i wymianę szczoteczek węglowych oraz wszelkie inne konserwacje i regulacje powinny być wykonywane przez autoryzowane lub fabryczne punkty usługowe Makita, zawsze przy użyciu części zamiennych Makita.

## WYPOSAŻENIE

### OSTRZEŻENIE:

- Niniejsze wyposażenie i nakładki są zalecane do używania wraz z urządzeniem Makita określonym w tej instrukcji obsługi. Używanie jakiegokolwiek innego wyposażenia lub nakładek może spowodować niebezpieczeństwo zranienia osób. Używaj wyposażenia i nakładek wyłącznie w celu, który podano.

Jeżeli potrzebujesz pomocy związanej z dalszymi szczegółami dotyczącymi niniejszego wyposażenia, zwróć się do miejscowego punktu usługowego Makita.

- Brzeszczot
- Klucz sześciokątny 3
- Zespół przewodnicy (wyposażenie dodatkowe)
- Urządzenie antyodpryskowe
- Wąż (Wąż do odkurzacza)
- Płyta ochronna (Dla typu z aluminiową podstawą)

## Model; 4326, 4327

### Tylko dla krajów europejskich

#### Szumy

Typowy A-ważony hałas określony według EN60745-2-11:

Poziom ciśnienia dźwięku ( $L_{pA}$ ): 86 dB (A)  
Poziom dźwięku w trakcie pracy ( $L_{WA}$ ): 97 dB (A)  
Niepewność (K): 3 dB (A)

#### Noś ochraniacze uszu.

#### Drgania

Całkowita wartość drgań (suma wektora trójosiowego) określona według EN60745-2-11:

Tryb pracy: cięcie płyty wiórowej  
Emisja drgań ( $a_{h,CW}$ ): 5  $m/s^2$   
Niepewność (K): 1,5  $m/s^2$

Tryb pracy: cięcie arkusza metalu  
Emisja drgań ( $a_{h,CM}$ ): 4,5  $m/s^2$   
Niepewność (K): 1,5  $m/s^2$

## Model; 4328, 4329

### Tylko dla krajów europejskich

#### Szumy

Typowy A-ważony hałas określony według EN60745-2-11:

Poziom ciśnienia dźwięku ( $L_{pA}$ ): 83 dB (A)  
Niepewność (K): 3 dB (A)

#### Noś ochraniacze uszu.

#### Drgania

Całkowita wartość drgań (suma wektora trójosiowego) określona według EN60745-2-11:

Tryb pracy: cięcie płyty wiórowej  
Emisja drgań ( $a_{h,CW}$ ): 7  $m/s^2$   
Niepewność (K): 1,5  $m/s^2$

Tryb pracy: cięcie arkusza metalu  
Emisja drgań ( $a_{h,CM}$ ): 5  $m/s^2$   
Niepewność (K): 1,5  $m/s^2$

## UE-DEKLARACJA ZGODNOŚCI

### Model; 4326, 4327, 4328, 4329

ENH101-8

Oświadczamy, biorąc za to wyłączną odpowiedzialność, że niniejszy wyrób jest zgodny z następującymi standardami standardowych dokumentów:

EN60745, EN55014, EN61000

zgodnie z Zaleceniami Rady: 2004/108/EC i 98/37/EC.

Tomoyasu Kato **CE 2007**



Dyrektor

Odpowiedzialny producent:

#### Makita Corporation

3-11-8, Sumiyoshi-cho, Anjo, Aichi, JAPAN

Autoryzowani przedstawiciele w Europie:

#### MAKITA International Europe Ltd.

Michigan Drive, Tongwell, Milton Keynes,  
Bucks MK15 8JD, ENGLAND

1 Рычаг изменения режима резки	11 Фиксатор	21 Тип с алюминиевым основанием
2 Пусковой механизм	12 Основание	22 Лицевая сторона линейки
3 Кнопка фиксации	13 Пылезащитный чехол	23 Направляющая линейка
4 Регулятор переключения скорости	14 Линия резки	24 Нарезная рукоятка
5 Держатель лезвия	15 Край	25 Шпилька
6 Болт	16 Деления	26 Противорасщепляющее устройство
7 Торцевой гаечный ключ	17 Начальное отверстие	27 Выступы
8 Лезвие	18 Шланг	28 Алюминиевое основание
9 Ролик	19 Тип со стальным основанием	29 Стыковая накладка
10 Крюк	20 Направляющая планка (направляющей линейки)	

### ТЕХНИЧЕСКИЕ ХАРАКТЕРИСТИКИ

Модель		4326	4327	4328	4329
Длина удара		18 мм	18 мм	18 мм	18 мм
Тип лезвия		Тип В			
Макс. режущая способность	Дерево	65 мм	65 мм	65 мм	65 мм
	Мягкая сталь	6 мм	6 мм	6 мм	6 мм
Ударов в минуту (мин <sup>-1</sup> )		3 100	500 – 3 100	500 – 3 100	500 – 3 100
Общая длина	217 мм (Тип со стальным основанием)	217 мм (Тип со стальным основанием)	223 мм (Тип с алюминиевым основанием)	217 мм	223 мм
	223 мм (Тип с алюминиевым основанием)				
Вес нетто	1,8 кг (Тип со стальным основанием)	1,8 кг (Тип со стальным основанием)	1,9 кг (Тип с алюминиевым основанием)	1,8 кг	1,9 кг
	1,9 кг (Тип с алюминиевым основанием)				
Класс безопасности		☐ / II			

- Вследствие нашей продолжающейся программы поиска и разработок технические характеристики могут быть изменены без уведомления.
- Примечание: Технические характеристики могут различаться в зависимости от страны.

#### Предназначенное использование

Этот инструмент предназначен для распиливания деревянных, пластмассовых и металлических материалов. В результате расширенной программы принадлежности и лезвий пилы возможно использование инструмента для различных целей, и он очень хорошо подходит для загрузленных и круглых разрезов.

#### Источник питания

Инструмент должен быть подсоединен только к источнику питания с напряжением, указанным в табличке номиналов, и может функционировать только от однофазного источника питания переменного тока. В соответствии с Европейским стандартом имеется двойная изоляция, следовательно, возможно использование с розетками без провода заземления.

### Общие предупреждения относительно безопасности электрического инструмента

**ВНИМАНИЕ! Прочитайте все предупреждения относительно безопасности и все инструкции.** Несоблюдение предупреждений и инструкций может привести к поражению электрическим током, пожару и/или серьезной травме.

### Сохраните все предупреждения и инструкции для дальнейшего использования.

#### Правила безопасности для рабочей области

1. **Поддерживайте в рабочей области чистоту и хорошее освещение.** Захламленные и темные области служат причиной несчастных случаев.
2. **Не используйте электрические инструменты во взрывоопасной атмосфере, например, в присутствии огнеопасных жидкостей, газов или пыли.** Электрические инструменты создают искры, которые могут привести к воспламенению пыли или паров.

3. При эксплуатации электрического инструмента не подпускайте близко детей и окружающих. Отвлечение внимания может привести к потере Вами контроля.

#### Правила электробезопасности

4. Штепсельные вилки электрического инструмента должны соответствовать розетке. Никогда никаким образом не модифицируйте штепсельную вилку. Не используйте никакие штепселя-переходники с заземленными (замкнутыми на землю) электрическими инструментами. Немодифицированные штепсельные вилки и соответствующие розетки уменьшат риск поражения электрическим током.
5. Избегайте контакта тела с замкнутыми на землю или заземленными поверхностями, например, трубами, радиаторами, кухонными плитами и холодильниками. Риск поражения электрическим током возрастает, если Ваше тело замкнуто на землю или заземлено.
6. Не подвергайте электрические инструменты воздействию дождя или влаги. Попадание воды в электрический инструмент увеличит риск поражения электрическим током.
7. Не нарушайте правила эксплуатации шнура. Никогда не используйте шнур для переноски электрического инструмента, подтягивания или отсоединения его от сети. Держите шнур подальше от тепла, масла, острых углов или движущихся частей. Поврежденные или залуптанные шнуры увеличивают риск поражения электрическим током.
8. При эксплуатации электрического инструмента на улице, используйте удлинительный шнур, подходящий для наружного использования. Использование шнура, подходящего для наружного использования, уменьшает риск поражения электрическим током.
9. Если необходимо использовать электрический инструмент во влажном месте, используйте линию электропитания, защищенную выключателем цепи с замыканием на землю. Использование выключателя цепи с замыканием на землю уменьшает риск поражения электрическим током.

#### Правила личной безопасности

10. Будьте внимательны, смотрите, что Вы делаете, и используйте здравый смысл при эксплуатации электрического инструмента. Не используйте электрический инструмент, когда Вы устали или находитесь под воздействием транквилизаторов, алкоголя или медикаментов. Проявление невнимательности при работе с электрическим инструментом может привести к серьезной травме.
11. Используйте индивидуальное защитное оборудование. Всегда применяйте защиту для глаз. Защитное оборудование, такое как пылезащитная маска, нескользящие защитные ботинки, каска или защита для ушей, используемое в соответствующих условиях, уменьшит риск получения травмы.

12. Не допускайте случайного запуска инструмента. Убедитесь в том, что переключатель находится в позиции выключено перед подсоединением к источнику электропитания и/или к батарейному блоку, поднятием или переноской инструмента. Переноска электрических инструментов с Вашим пальцем, расположенном на переключателе, или подсоединение к сети электрических инструментов, у которых переключатель находится в положение включено, служат причиной несчастных случаев.

13. Перед тем, как включать электрический инструмент, удалите все регулировочные приспособления или гаечные ключи. Гаечный ключ или приспособление, оставленные прикрепленными к вращающимся частям электрического инструмента, могут привести к травме.
14. Не перенапрягайтесь. Все время сохраняйте надлежащую устойчивость и равновесие. Это обеспечивает лучший контроль над электрическим инструментом в непредвиденных ситуациях.
15. Одевайтесь надлежащим образом. Не носите свободную одежду или украшения. Держите Ваши волосы, одежду и перчатки подальше от движущихся частей. Провисшая одежда, украшения или длинные волосы могут быть захвачены движущимися частями.
16. Если поставляются устройства для подсоединения пылесобирающих и пылеулавливающих приспособлений, убедитесь в том, что они подсоединены и правильно используются. Использование сборника пыли может уменьшить опасность, связанную с вредным воздействием пыли.

#### Использование электрического инструмента и уход за ним

17. Не прикладывайте силу к электрическому инструменту. Используйте подходящий электрический инструмент для Вашей работы. Подходящий электрический инструмент будет делать работу лучше и безопаснее при скорости, для которой он сконструирован.
18. Не используйте электрический инструмент, если переключатель не включает или не выключает его. Любой электрический инструмент, который не может управляться с помощью переключателя, является опасным и должен быть отремонтирован.
19. Отсоедините штепсельную вилку от источника питания и/или батарейный блок от электрического инструмента перед выполнением любых регулировок, заменой принадлежностей или хранением электрического инструмента. Такие профилактические меры уменьшают риск непреднамеренного запуска электрического инструмента.

20. Храните неработающий электрический инструмент вне доступа детей, и не позволяйте лицам, не знакомым с электрическим инструментом или этой инструкцией, эксплуатировать электрический инструмент. Электрический инструмент опасен в руках необученных пользователей.
  21. Осуществляйте техническое обслуживание электрических инструментов. Проверьте нарушение центровки движущихся частей или их заземление, повреждение деталей и любые другие условия, которые могут влиять на функционирование электрического инструмента. В случае поломки отремонтируйте электрический инструмент перед использованием. Из-за плохого контроля над электрическим инструментом происходит много несчастных случаев.
  22. Сохраняйте режущие инструменты острыми и чистыми. Режущие инструменты, за которыми осуществляется надлежащий уход, имеющие острые режущие кромки, с меньшей вероятностью будут подвергаться заземлению и ими легче управлять.
  23. Используйте электрический инструмент, принадлежности, зубила и т.д. в соответствии с этой инструкцией, принимая во внимание рабочие условия и вид выполняемой работы. Использование электрического инструмента для операций, отличающихся от предназначенных операций, может привести к возникновению опасных ситуаций.
- Техническое обслуживание**
24. Выполняйте техническое обслуживание Вашего электрического инструмента только с помощью квалифицированного специалиста по ремонту, используя только идентичные запасные части. Это обеспечит поддержание безопасности электрического инструмента.
  25. Выполняйте инструкции по смазке и замене приспособлений.
  26. Сохраняйте рукоятки сухими, чистыми и свободными от масла и смазки.

## ОСОБЫЕ ПРАВИЛА БЕЗОПАСНОСТИ

НЕ позволяйте удобству или близкому знакомству с продуктом (полученным в результате частого использования) заменить строгое соблюдение правил безопасности для ножовочной пилы. Если Вы используете этот электрический инструмент небезопасно или неправильно, Вы можете получить серьезную травму.

1. Держите электрические инструменты за изолированные части для захвата при выполнении операций в местах, где режущий инструмент может контактировать со скрытой проводкой или с собственным проводом. Контакт с “работающим” проводом сделает “работающими” открытые металлические части инструмента и приведет к поражению оператора электрическим током.

2. Используйте тиски или другой подходящий способ, чтобы закрепить и поддерживать рабочее изделие на устойчивой платформе. Выполнение работы руками, или опираясь на Ваше тело, лишает устойчивости и может привести к потере контроля.
3. Всегда используйте защитные очки или щиток. Обыкновенные или солнцезащитные очки НЕ являются защитными очками.
4. Избегайте обрезать гвозди. Проверьте наличие и удалите все гвозди из рабочего изделия перед эксплуатацией.
5. Не режьте рабочие изделия большого размера.
6. Перед выполнением резки проверьте правильные зазоры снизу рабочего изделия так, чтобы лезвие не прорезало пол, рабочий стол и т.д.
7. Держите инструмент крепко.
8. Перед включением переключателя убедитесь в том, что лезвие не контактирует с рабочим изделием.
9. Держите руки подальше от движущихся частей.
10. Не оставляйте инструмент работающим. Управляйте инструментом только удерживая его руками.
11. Перед удалением лезвия из рабочего изделия всегда выключайте и подождите, пока лезвие полностью остановится.
12. Не прикасайтесь к лезвию или рабочему изделию сразу же после эксплуатации; они могут быть очень горячими и обжечь Вашу кожу.
13. Не эксплуатируйте без надобности инструмент без нагрузки.
14. Некоторые материалы содержат химикаты, которые могут быть токсичными. Соблюдайте осторожность, чтобы предотвратить вдыхание пыли и контакт с кожей. Следуйте данным по безопасности, приведенным поставщиками материалов.
15. Всегда используйте правильную пылезащитную маску/респиратор для материала и способа обработки, которые Вы используете.

## СОХРАНИТЕ ЭТИ ИНСТРУКЦИИ.

### ПРЕДОСТРЕЖЕНИЕ:

НЕПРАВИЛЬНОЕ ИСПОЛЬЗОВАНИЕ или невыполнение правил безопасности, приведенных в этой инструкции по эксплуатации, могут привести к серьезной персональной травме.

## ОПИСАНИЕ ФУНКЦИОНИРОВАНИЯ

### ПРЕДУПРЕЖДЕНИЕ:

- Следует всегда быть уверенным, что инструмент выключен и отсоединен от сети перед регулировкой или проверкой функционирования инструмента.

### Выбор режима резки (Для моделей 4328/4329) (Рис. 1)

Этот инструмент может функционировать с круговым или прямым (вверх и вниз) режимом резки. При круговом режиме резки лезвие подается вперед при режущем ударе, и сильно увеличивается скорость резки.

Для изменения режима резки просто поверните рычаг изменения режима резки в желаемое положение режима резки.

Обращайтесь к таблице для выбора подходящего способа резки.

Положение	Операция резки	Применения
0	Операция резки по прямой линии	Для резки мягкой стали, нержавеющей стали и пластмасс.
		Для чистой резки в дереве и фанере.
I	Операция резки по малому кругу	Для резки мягкой стали, алюминия и твердого дерева.
II	Операция резки по среднему кругу	Для чистой резки в дереве и фанере.
		Для быстрой резки в алюминии и мягкой стали.
III	Операция резки по большому кругу	Для быстрой резки в дереве и фанере.

### Действия при переключении (Рис. 2)

#### ПРЕДУПРЕЖДЕНИЕ:

- Перед подсоединением инструмента всегда проверяйте, чтобы видеть, что пусковой механизм действует правильно и возвращается в положение "OFF" (выкл.) после высвобождения.

Для запуска инструмента просто нажмите пусковой механизм. Для остановки высвободите пусковой механизм.

Для непрерывной эксплуатации нажмите пусковой механизм, а затем нажмите кнопку фиксации.

Для остановки инструмента из фиксированного положения полностью нажмите пусковой механизм, затем высвободите его.

### Регулятор переключения скорости (Для моделей 4327/4328/4329) (Рис. 3)

Скорость инструмента может регулироваться в пределах между 500 и 3100 ударов в минуту путем поворота регулятора переключения. Более высокая скорость достигается, когда регулятор повернут в направлении цифры 6; более низкая скорость достигается, когда регулятор повернут в направлении цифры 1.

Обращайтесь к нижеприведенной таблице для выбора правильной скорости для рабочего изделия, подлежащего резке. Однако подходящая скорость может различаться в зависимости от типа или толщины рабочего изделия. В общем, более высокие скорости позволят Вам выполнять резку рабочих изделий быстрее, но срок службы лезвия будет сокращаться.

Рабочее изделие, подлежащее резке	Число на диске регулировки
Дерево	5–6
Мягкая сталь	3–6
Нержавеющая сталь	3–4
Алюминий	3–6
Пластмассы	1–4

#### ПРЕДУПРЕЖДЕНИЕ:

- Если инструмент непрерывно функционирует на маленькой скорости в течение длительного времени, то мотор перегрузится и нагреется.
- Поворот регулятора переключения скорости возможен только до цифры 6 и обратно до 1. Не прилагайте к нему усилия для перехода за цифру 6 или 1, либо функция переключения скорости не будет больше работать.

### СБОРКА

#### ПРЕДУПРЕЖДЕНИЕ:

- Следует всегда быть уверенным, что инструмент выключен и отсоединен от сети перед выполнением любых работ с инструментом.

### Установка или удаление лезвия пилы (Рис. 4 и 5)

#### ПРЕДУПРЕЖДЕНИЕ:

- Всегда прочищайте все стружки или посторонние предметы, прилипшие к лезвию и/или держателю лезвия. Невыполнение этого условия может привести к недостаточному закреплению лезвия, что может вызвать серьезную травму.
- Не прикасайтесь к лезвию или рабочему изделию сразу же после эксплуатации; они могут быть очень горячими и обжечь Вашу кожу.
- Всегда надежно фиксируйте лезвие. Недостаточное закрепление лезвия может привести к поломке лезвия или серьезной травме.
- Используйте только лезвия типа В. Использование лезвий, отличающихся от типа В, вызывает недостаточное закрепление лезвия, что может привести к серьезной травме.

Чтобы установить лезвие, отвинтите против часовой стрелки болт на держателе лезвия с помощью торцевого гаечного ключа.

Вставьте лезвие в держатель лезвия до упора так, чтобы зубья пилы были обращены вперед. Убедитесь в том, что задняя сторона лезвия установилась на ролик. Затем закрутите болт по часовой стрелке, чтобы закрепить лезвие.

Чтобы удалить лезвие, следуйте процедуре установки в обратном порядке.

#### ПРИМЕЧАНИЕ:

- Иногда смазывайте ролик.

### Хранение торцевого гаечного ключа (Рис. 6)

Когда торцевой гаечный ключ не используется, храните его как показано на рисунке, чтобы не потерять.

### Регулирующий ролик (Для моделей 4326/4327) (Рис. 7)

Отвинтите болт на обратной стороне основания инструмента с помощью шестигранного гаечного ключа. Передвиньте фиксатор так, чтобы ролик слегка касался лезвия. Затем закрутите болт, чтобы закрепить основание инструмента и фиксатор.

#### ПРИМЕЧАНИЕ:

- Время от времени смазывайте ролик.

### Пылезащитный чехол (Рис. 8)

#### ПРЕДУПРЕЖДЕНИЕ:

- Всегда носите предохранительные защитные очки, даже если инструмент эксплуатируется с опущенным пылезащитным чехлом.

Опустите пылезащитный чехол, чтобы предотвратить разлет стружек. Однако при выполнении наклонной резки поднимите его полностью.

## ЭКСПЛУАТАЦИЯ

#### ПРЕДУПРЕЖДЕНИЕ:

- Всегда держите основание инструмента вровень с рабочим изделием. Невыполнение этого условия может привести к поломке лезвия, что повлечет серьезную травму.
- При резке кривых линий или орнамента подавайте инструмент очень медленно. Прикладывание силы к инструменту может привести к кривой врезке и поломке лезвия.

Включите инструмент так, чтобы лезвие не соприкасалось с рабочим изделием, и подождите, пока лезвие не наберет полную скорость. Затем поместите основание инструмента плоско на рабочее изделие и аккуратно продвигайте инструмент вперед вдоль предварительно промаркированной линии резки. (Рис. 9)

### Наклонная резка

#### ПРЕДУПРЕЖДЕНИЕ:

- Перед наклоном основания инструмента будьте всегда уверены, что инструмент выключен и отсоединен от сети.
- Перед выполнением наклонной резки поднимите пылезащитный чехол до упора.

С наклонным основанием инструмента Вы можете выполнить наклонную резку под любым углом между 0° и 45° (влево или вправо). (Рис. 10)

Отвинтите болт сзади основания с помощью торцевого гаечного ключа. Переместите основание инструмента так, чтобы болт был расположен в центре крестообразной прорези в основании инструмента. (Рис. 11)

Наклоните основание до тех пор, пока не достигнете желаемого угла. Сторона корпуса мотора указывает угол наклона при помощи градуировки. Затем закрутите болт, чтобы закрепить основание. (Рис. 12)

### Передние разрезы вровень (Рис. 13)

Отвинтите болт сзади основания инструмента с помощью торцевого гаечного ключа, затем передвиньте основание инструмента полностью назад. Затем закрутите болт для фиксации основания.

### Вырезание

Выполнение вырезания возможно с использованием одного из двух методов А или В.

#### А) Сверление начального отверстия

Для внутренних вырезов без вводного разреза с края предварительно высверлите начальное отверстие более чем 12 мм в диаметре. Вставьте лезвие в это отверстие и держите инструмент крепко на рабочем изделии для начала Вашей резки. (Рис. 14)

#### В) Врезание

Вам не нужно сверлить начальное отверстие или делать вводный разрез, если Вы аккуратно выполните следующее.

1. Наклоните инструмент вверх на переднем крае основы с лезвием, находящимся прямо над поверхностью рабочего изделия. (Рис. 15)
2. Приложите давление к инструменту так, чтобы передний край основы не двигался, когда Вы включите инструмент, и осторожно и медленно опустите задний конец инструмента.
3. Когда лезвие прорежет рабочее изделие, медленно опустите основу инструмента вниз на поверхность рабочего изделия.
4. Завершите резку обычным способом.

### Отделка краев (Рис. 16)

Для выравнивания краев или выполнения корректировки размеров слегка прогоните лезвие вдоль срезанных краев.

### Резка металла

Во время резки металла всегда используйте подходящий охладитель (масло для металлорежущих инструментов). Невыполнение этого условия приведет к существенному износу лезвия. Вместо использования охладителя можно смазать рабочее изделие снизу.

## Удаление пыли (Рис. 17)

Чистые операции резки могут быть выполнены с помощью подсоединения этого инструмента к пылесосу Makita. Вставьте шланг пылесоса в отверстие на задней панели инструмента. Перед началом работы опустите пылезащитный чехол.

### ПРИМЕЧАНИЕ:

- Удаление пыли не может быть осуществлено при выполнении наклонной резки.

## Направляющая планка (дополнительная принадлежность)

### ПРЕДУПРЕЖДЕНИЕ:

- Перед установкой или удалением принадлежностей будьте всегда уверены, что инструмент выключен и отсоединен от сети.

### 1) Прямая резка (Рис. 18, 19, 20 и 21)

При прямой резке шириной 160 мм или меньше использование направляющей планки обеспечит быструю, чистую, прямую резку.

Для установки вставьте направляющую планку в прямоугольное отверстие на стороне основания инструмента с направляющей планкой, обращенной вниз. Сдвиньте направляющую планку в желаемое положение ширины резки, затем завинтите болт для ее фиксации.

### 2) Круговая резка (Рис. 22, 23, 24 и 25)

При резке кругов или полукругов радиусом 170 мм или меньше установите направляющую планку следующим образом.

Вставьте планку в прямоугольное отверстие на стороне основания инструмента с направляющей планкой, обращенной вверх.

Вставьте круглый направляющий штифт через любое из двух отверстий в направляющей планке. Завинтите резьбовую рукоятку в штифт для фиксации штифта.

Сейчас сдвиньте направляющую планку до желаемого радиуса резки и завинтите болт для ее фиксации на месте. Затем передвиньте основание инструмента полностью вперед.

### ПРИМЕЧАНИЕ:

- При резке кругов и полукругов всегда используйте лезвия No. B-17, B-18, B-26 или B-27.

## Противорасщепляющее устройство для стального основания (дополнительная принадлежность) (Рис. 26)

Противорасщепляющее устройство может быть использовано для свободной от расщепления резки. Для установки противорасщепляющего устройства передвиньте основание полностью вперед и вставьте его между двумя выступами на основании.

### ПРИМЕЧАНИЕ:

- Противорасщепляющее устройство не может быть использовано при выполнении наклонной резки.

## Противорасщепляющее устройство для алюминиевого основания (дополнительная принадлежность) (Рис. 27)

Противорасщепляющее устройство может быть использовано для свободной от расщепления резки. Для установки противорасщепляющего устройства передвиньте основание инструмента полностью вперед и вставьте его сзади основания инструмента. При использовании стыковочной накладки установите противорасщепляющее устройство на стыковочную накладку.

### ПРЕДУПРЕЖДЕНИЕ:

- Противорасщепляющее устройство не может быть использовано при выполнении наклонной резки.

## Стыковочная накладка для алюминиевого основания (дополнительная принадлежность) (Рис. 28)

Используйте стыковочную накладку при резке декоративных виньерок, пластмасс и т.д. Это защитит чувствительные или тонкие поверхности от повреждений. Вставьте ее сзади основания инструмента.

## ТЕХНИЧЕСКОЕ ОБСЛУЖИВАНИЕ

### ПРЕДОСТЕРЕЖЕНИЕ:

- Следует всегда быть уверенным, что инструмент выключен и отключен от сети перед выполнением проверки или техническим обслуживанием.

Для поддержания БЕЗОПАСНОСТИ и ДОЛГОВЕЧНОСТИ изделия ремонт, проверка и замена угольных щеток, любое другое обслуживание и регулировка должны проводиться в уполномоченных центрах или заводских центрах по техобслуживанию Makita, всегда используя сменные части Makita.

## ПРИНАДЛЕЖНОСТИ

### ПРЕДУПРЕЖДЕНИЕ:

- Эти принадлежности или приспособления рекомендуются для использования с Вашим инструментом Makita, указанным в руководстве. Использование любых других принадлежностей или приспособлений может вызвать риск причинения травмы. Используйте принадлежности или приспособления только для указанных целей.

Если Вам необходима какая-либо помощь относительно дальнейших подробностей об этих принадлежностях, обращайтесь в Ваш местный центр по техобслуживанию Makita.

- Лезвие ножовочной пилы
- Торцевой гаечный ключ 3
- Набор направляющей планки (направляющей линейки)
- Противорасщепляющее устройство
- Шланг (для пылесоса)
- Стыковочная накладка (Для типа с алюминиевым основанием)

Модель; 4326, 4327

Только для европейских стран

### Шум

Типичное значение средневзвешенного значения уровня шума было определено в соответствии с EN60745-2-11:

Уровень звукового давления ( $L_{pA}$ ): 86 дБ (А)

Уровень звуковой мощности ( $L_{WA}$ ): 97 дБ (А)

Погрешность (К): 3 дБ (А)

**Надевайте защиту для ушей.**

### Вибрация

Полное значение вибрации (трехкоординатная векторная сумма) было определено в соответствии с EN60745-2-11:

Рабочий режим: резка ДСП

Величина вибрации ( $a_{h,CW}$ ): 5 м/с<sup>2</sup>

Погрешность (К): 1,5 м/с<sup>2</sup>

Рабочий режим: резка листового металла

Величина вибрации ( $a_{h,CM}$ ): 4,5 м/с<sup>2</sup>

Погрешность (К): 1,5 м/с<sup>2</sup>

Модель; 4328, 4329

Только для европейских стран

### Шум

Типичное значение средневзвешенного значения уровня шума было определено в соответствии с EN60745-2-11:

Уровень звукового давления: 83 дБ (А)

Погрешность (К): 3 дБ (А)

Уровень шума при работе может превышать 85 дБ (А).

**Надевайте защиту для ушей.**

### Вибрация

Полное значение вибрации (трехкоординатная векторная сумма) было определено в соответствии с EN60745-2-11:

Рабочий режим: резка ДСП

Величина вибрации ( $a_{h,CW}$ ): 7 м/с<sup>2</sup>

Погрешность (К): 1,5 м/с<sup>2</sup>

Рабочий режим: резка листового металла

Величина вибрации ( $a_{h,CM}$ ): 5 м/с<sup>2</sup>

Погрешность (К): 1,5 м/с<sup>2</sup>

## ЕС ДЕКЛАРАЦИЯ СООТВЕТСТВИЯ

Модель; 4326, 4327, 4328, 4329

EN1101-8

Мы заявляем под свою собственную ответственность, что этот продукт находится в соответствии со следующими стандартами документов по стандартизации:

EN60745, EN55014, EN61000

согласно сборникам директив 2004/108/ЕС и 98/37/ЕС.

Tomoyasu Kato **CE 2007**



Директор

Ответственный производитель:

**Makita Corporation**

3-11-8, Sumiyoshi-cho, Anjo, Aichi, JAPAN

Уполномоченный представитель в Европе:

**MAKITA International Europe Ltd.**

Michigan Drive, Tongwell, Milton Keynes,

Bucks MK15 8JD, ENGLAND

**Makita Corporation**

Anjo, Aichi, Japan

884727B200